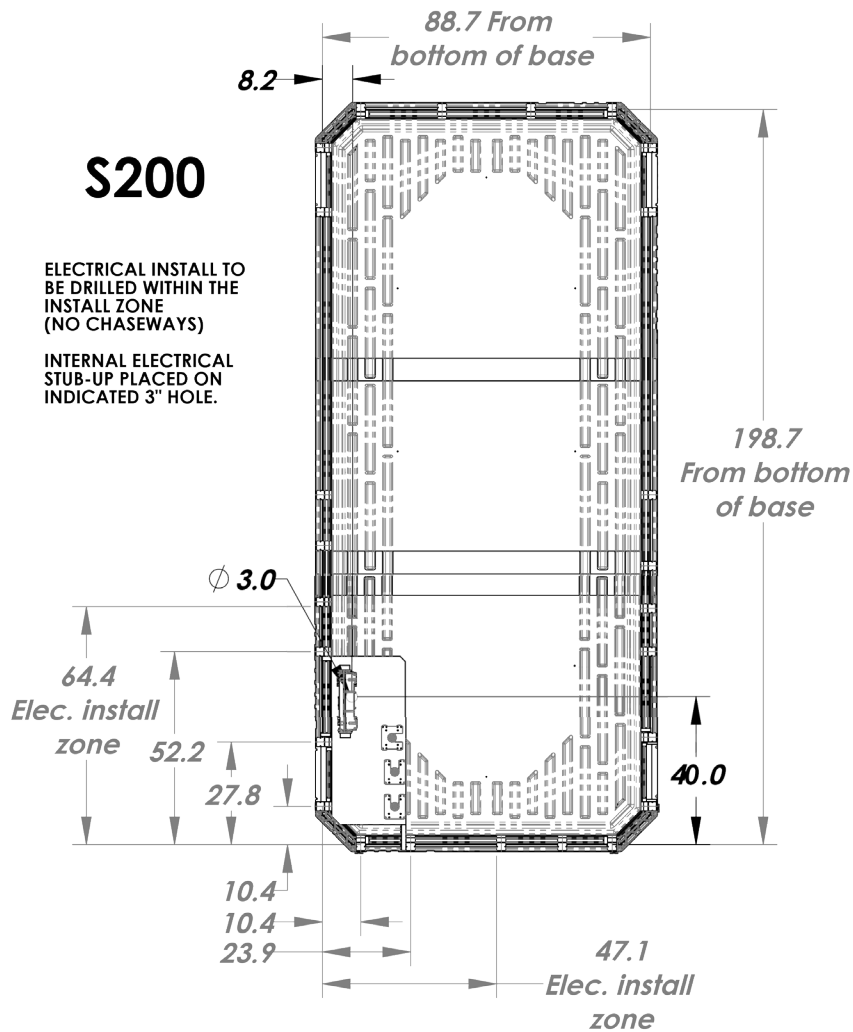
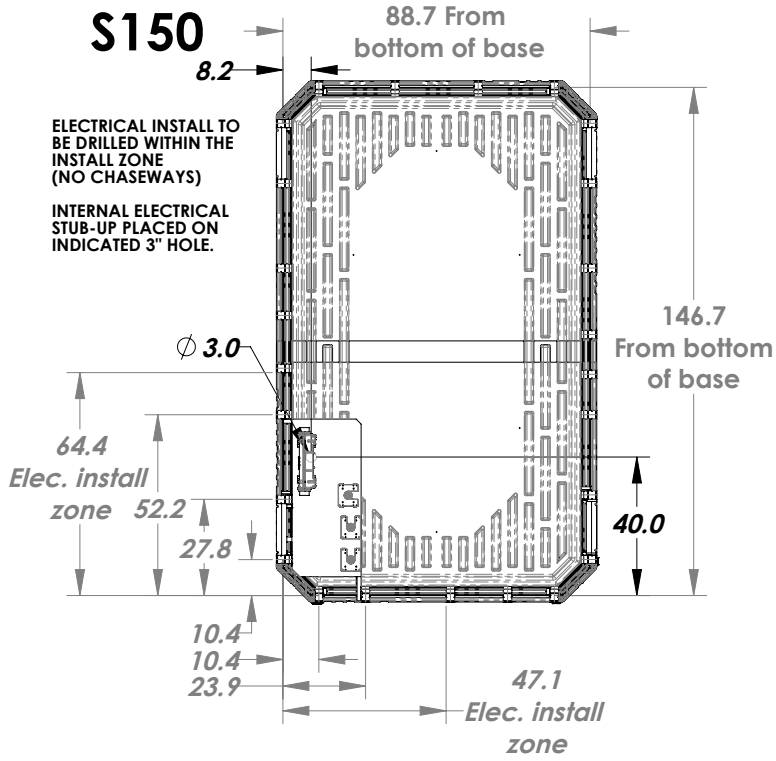
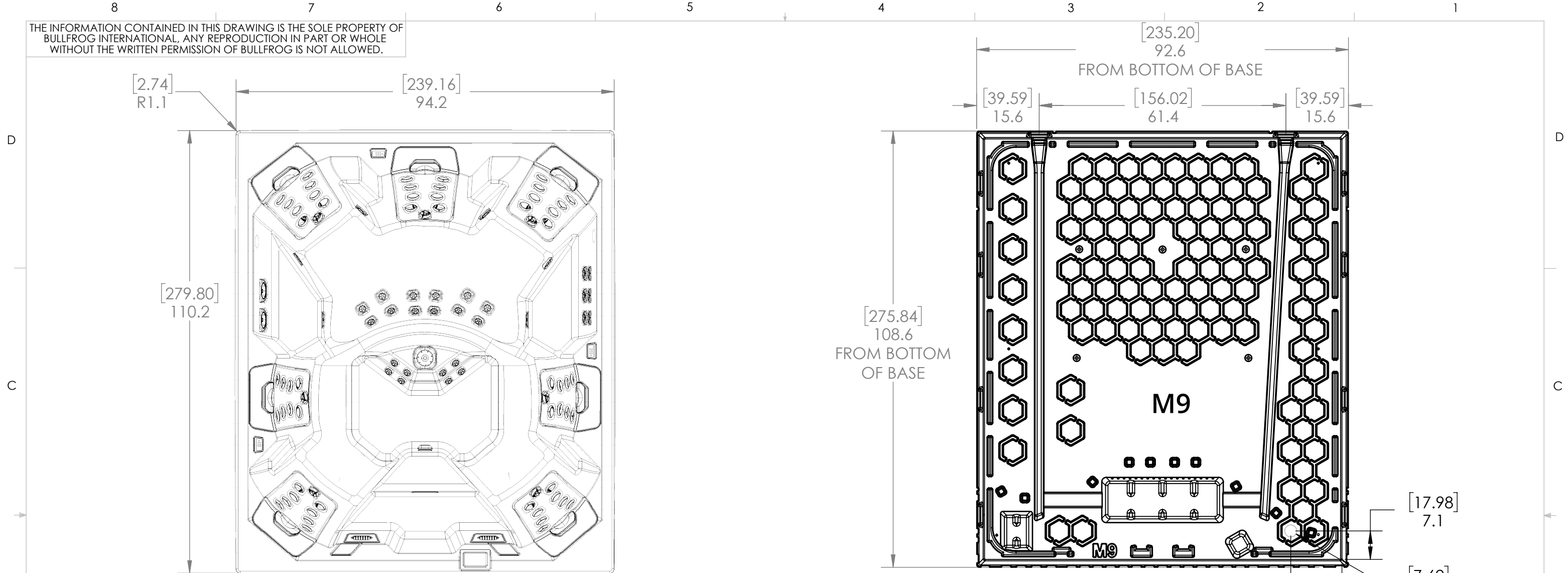


Electrical Chaseway Diagrams



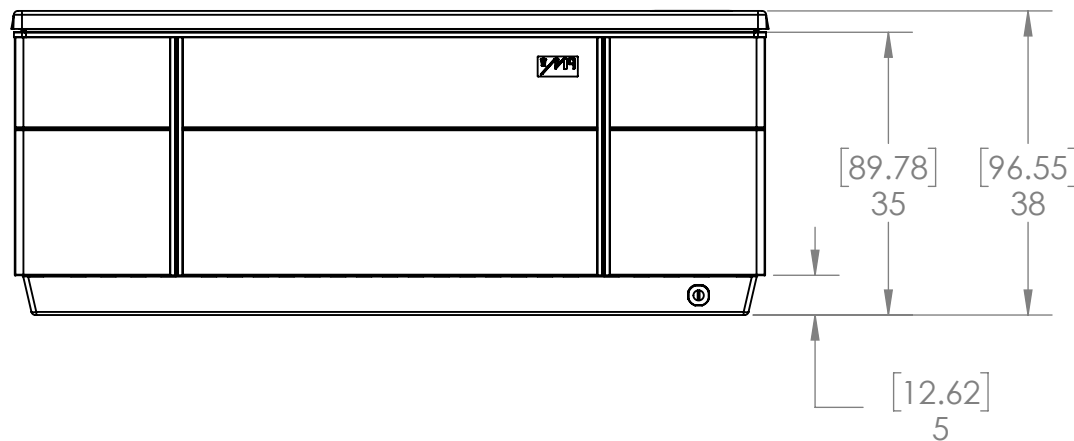
THE INFORMATION CONTAINED IN THIS DRAWING IS THE SOLE PROPERTY OF BULLFROG INTERNATIONAL. ANY REPRODUCTION IN PART OR WHOLE WITHOUT THE WRITTEN PERMISSION OF BULLFROG IS NOT ALLOWED.



EURO RATINGS/WIRING CONFIGURATIONS AVAILABLE:
230 VAC 50 Hz (M8D & M9T): 20 A x 2, 40 A

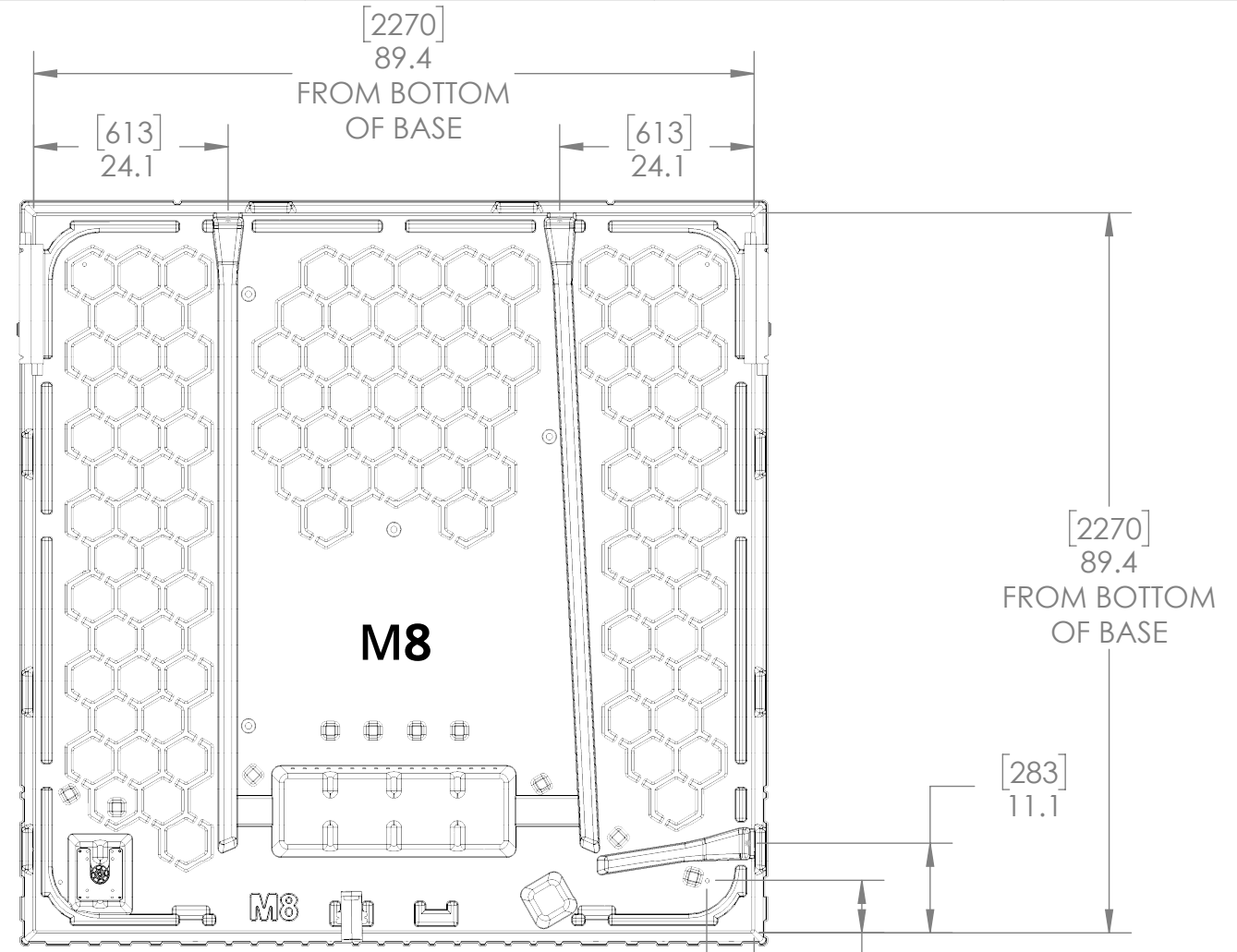
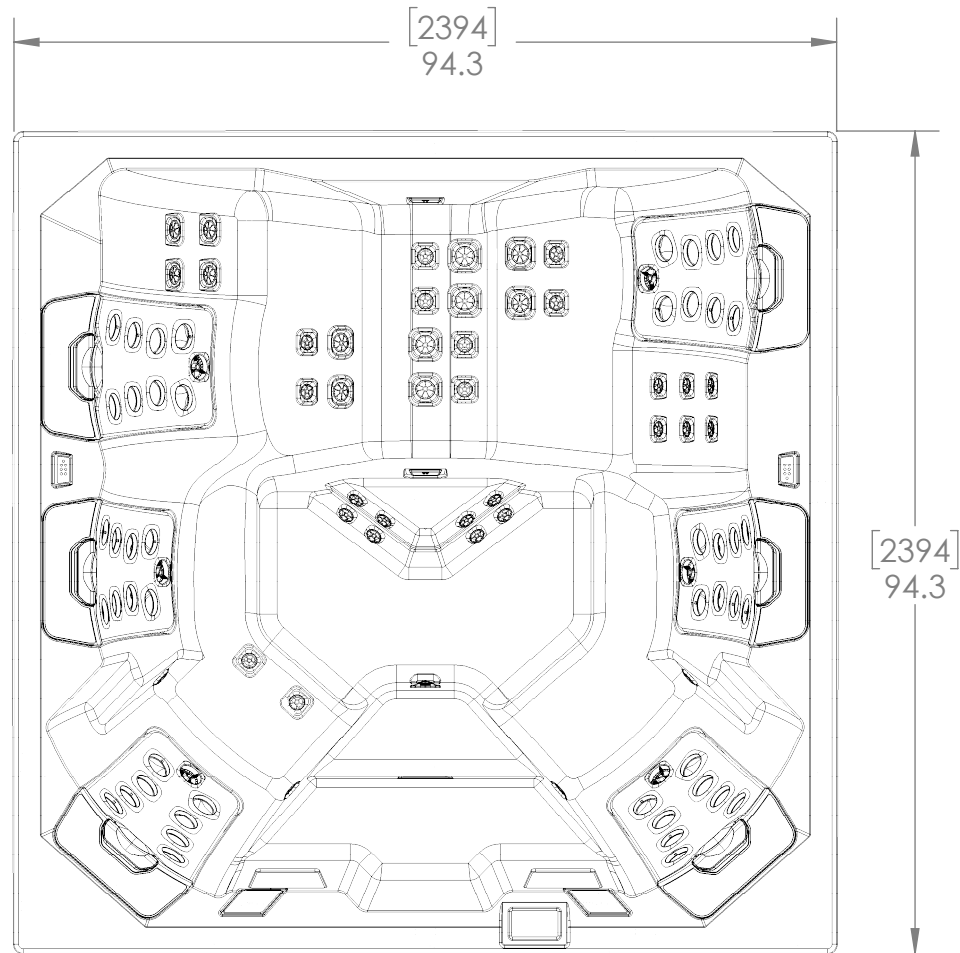
US RATINGS/WIRING CONFIGURATIONS AVAILABLE:
 240 VAC, 60 Hz, 50 A
240 VAC, 60 Hz, 60 A

NOTE: SPA MODELS WITH 3 JET PUMPS (A9L, M8, M9L) REQUIRE A 60 AMP SERVICE FOR FULL FUNCTIONALITY. THESE MODELS MAY ALTERNATIVELY BE OPERATED WITH VARIOUS ELECTRICAL CONFIGURATIONS, HOWEVER, CERTAIN SET-UPS MAY RESULT IN OPERATION LIMITATIONS. RATINGS AMPERAGE IN BOLD TYPE ARE PREFERRED FULL FUNCTIONALITY SETUPS. CONTACT YOUR DEALER FOR DETAILS.



CAD GENERATED DRAWING, DO NOT MANUALLY UPDATE DO NOT SCALE DRAWING	NAME	DATE	
	MODELED BY Adam Lundgren		
UNLESS OTHERWISE SPECIFIED DIMENSIONS ARE IN INCHES	APPROVED BY		TITLE: M9 FINAL ASSY. DRAWING W/ MEASUREMENT IN INCHES
	<input type="checkbox"/> CONTROLLED PART CES, ETL, UL, OR OTHER REGULATORY AGENCY		
TOLERANCES ARE:	VENDOR:		SIZE
FRACTIONS ± 1/16 DECIMALS .XX ± .1 .XXX ± .02 .XXX ± .005 .XXXX ± .0020 ANGLES ± 1°	MANUFACTURER:		B
MATERIAL:	VENDOR PART NUMBER:		PART NUMBER:
SURFACE TREATMENT:			REV
MATERIAL CONDITION:			SCALE: 1:50
			SHEET 1 OF 1

THE INFORMATION CONTAINED IN THIS DRAWING IS THE SOLE PROPERTY OF BULLFROG INTERNATIONAL. ANY REPRODUCTION IN PART OR WHOLE WITHOUT THE WRITTEN PERMISSION OF BULLFROG IS NOT ALLOWED.



EURO RATINGS/WIRING CONFIGURATIONS AVAILABLE:

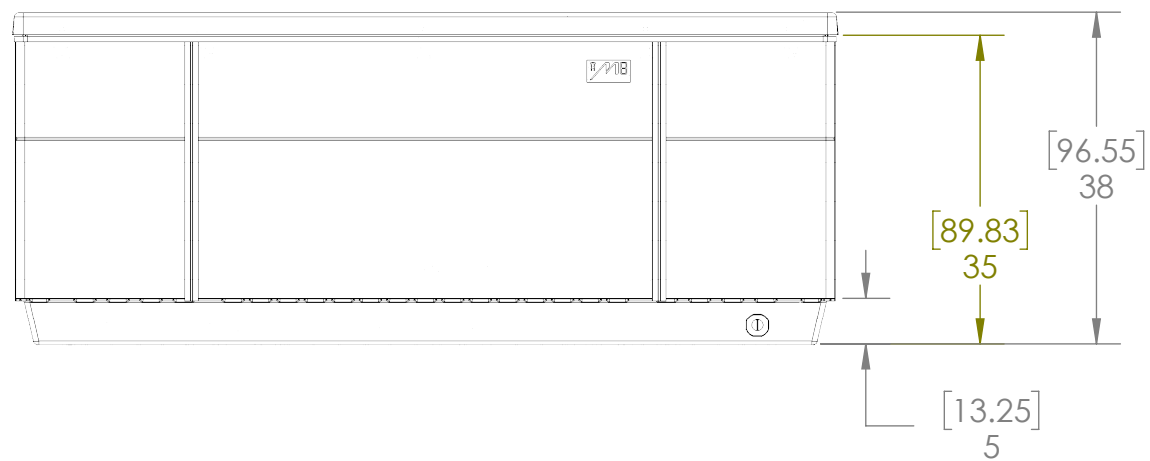
230 VAC 50 Hz (M8D & M9T): 20 A x 2, 40 A

US RATINGS/WIRING CONFIGURATIONS AVAILABLE:

240 VAC, 60 Hz, 50 A

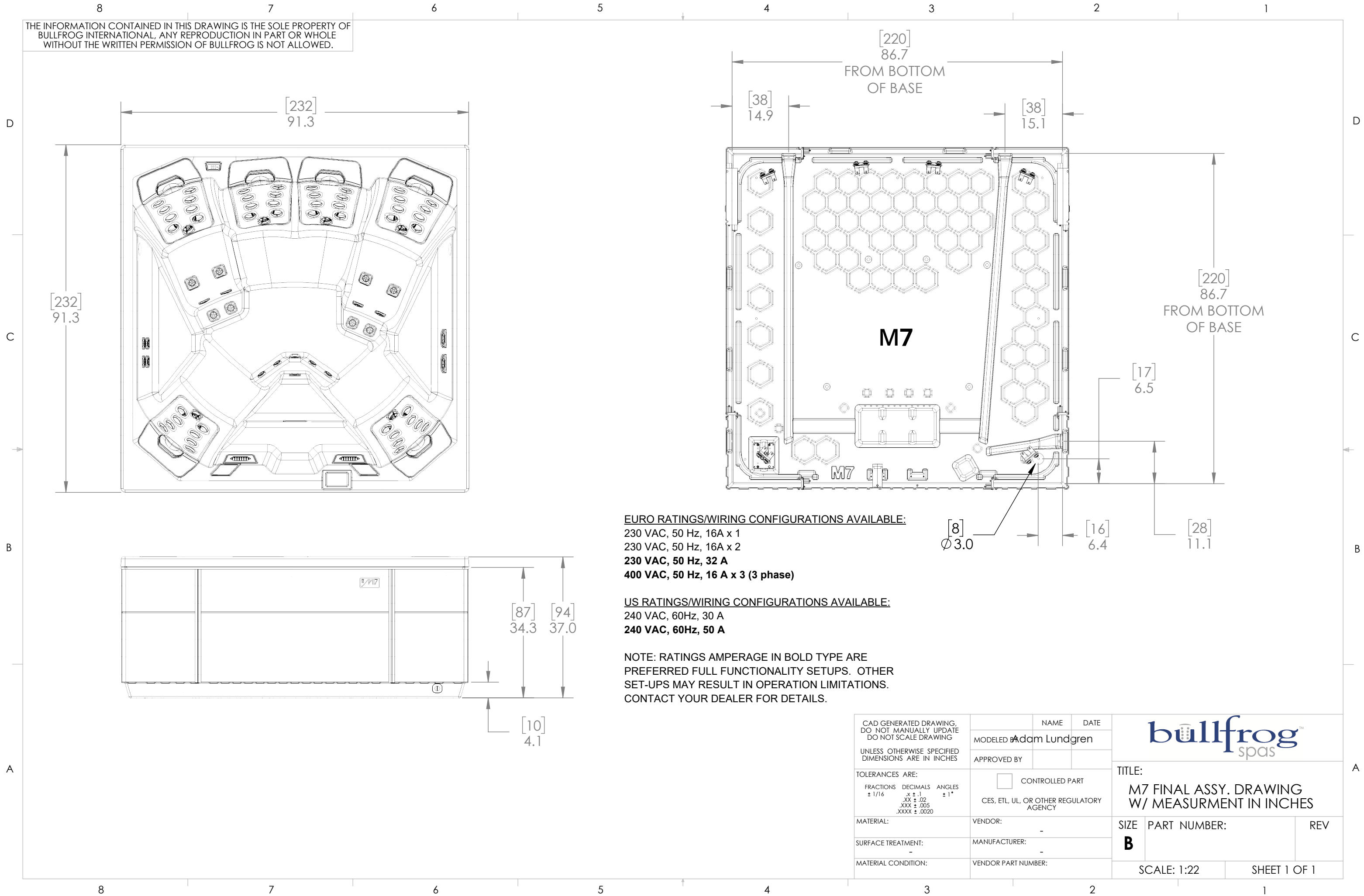
240 VAC, 60 Hz, 60 A

NOTE: SPA MODELS WITH 3 JET PUMPS (A9L, M8, M9L) REQUIRE A 60 AMP SERVICE FOR FULL FUNCTIONALITY. THESE MODELS MAY ALTERNATIVELY BE OPERATED WITH VARIOUS ELECTRICAL CONFIGURATIONS, HOWEVER, CERTAIN SET-UPS MAY RESULT IN OPERATION LIMITATIONS. RATINGS AMPERAGE IN BOLD TYPE ARE PREFERRED FULL FUNCTIONALITY SETUPS. CONTACT YOUR DEALER FOR DETAILS.



CAD GENERATED DRAWING, DO NOT MANUALLY UPDATE DO NOT SCALE DRAWING	NAME	DATE	
	MODELED BY Adam Lundgren		
UNLESS OTHERWISE SPECIFIED DIMENSIONS ARE IN INCHES	APPROVED BY		TITLE:
	<input type="checkbox"/> CONTROLLED PART CES, ETL, UL, OR OTHER REGULATORY AGENCY		M8 FINAL ASSY. DRAWING W/ MEASUREMENT IN INCHES
TOLERANCES ARE:	VENDOR:		SIZE
FRACTIONS ± 1/16	MANUFACTURER:		B
DECIMALS .XX ± .1 .XXX ± .02 .XXXX ± .005 .XXXXX ± .0020	VENDOR PART NUMBER:		PART NUMBER:
ANGLES ± 1°			REV
MATERIAL:			SCALE: 1:22
SURFACE TREATMENT:			SHEET 1 OF 1
MATERIAL CONDITION:			

THE INFORMATION CONTAINED IN THIS DRAWING IS THE SOLE PROPERTY OF BULLFROG INTERNATIONAL. ANY REPRODUCTION IN PART OR WHOLE WITHOUT THE WRITTEN PERMISSION OF BULLFROG IS NOT ALLOWED.



EURO RATINGS/WIRING CONFIGURATIONS AVAILABLE:

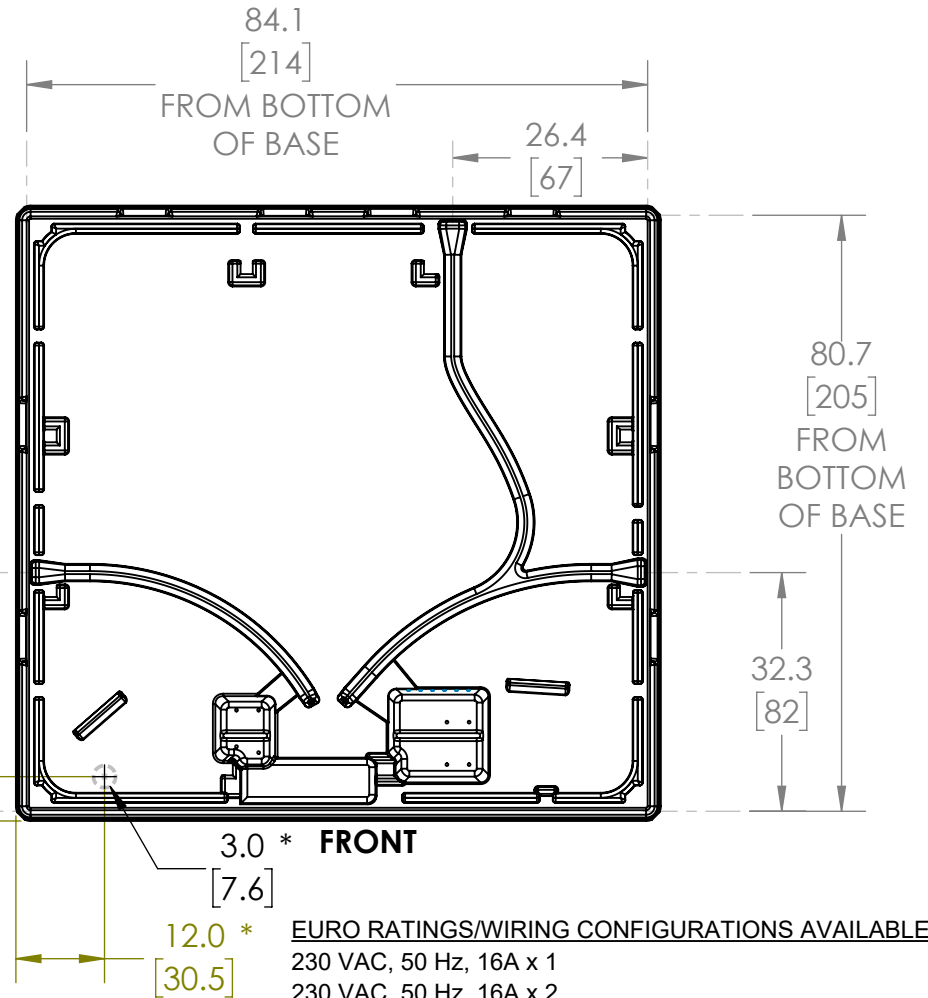
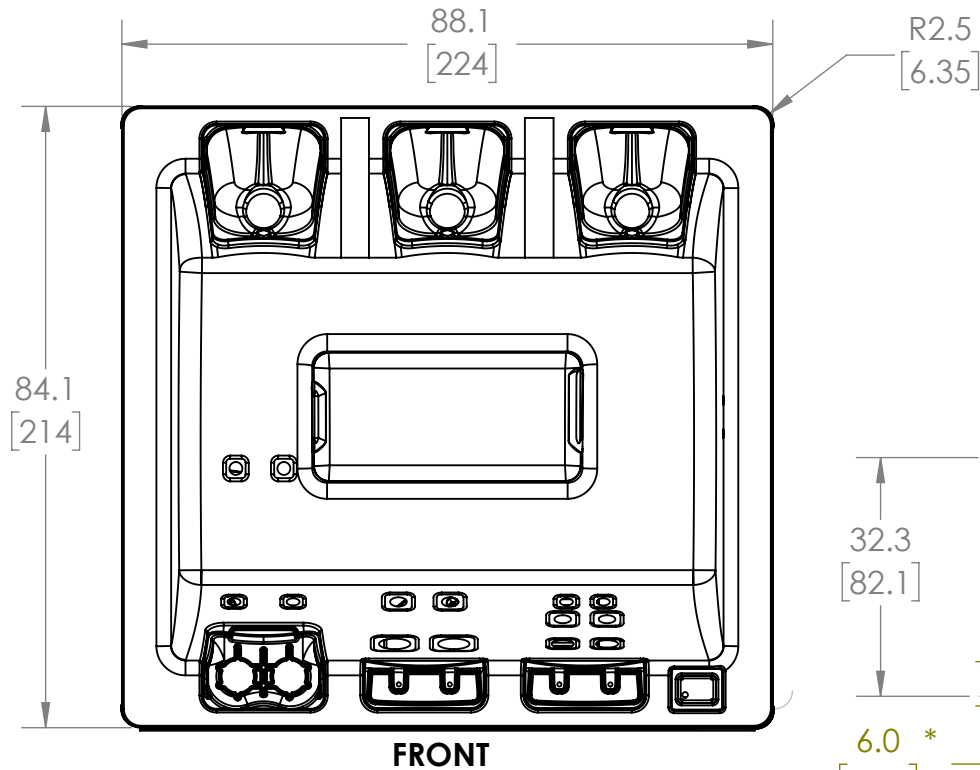
- 230 VAC, 50 Hz, 16A x 1
- 230 VAC, 50 Hz, 16A x 2
- 230 VAC, 50 Hz, 32 A**
- 400 VAC, 50 Hz, 16 A x 3 (3 phase)**

US RATINGS/WIRING CONFIGURATIONS AVAILABLE:

- 240 VAC, 60Hz, 30 A
- 240 VAC, 60Hz, 50 A**

NOTE: RATINGS AMPERAGE IN BOLD TYPE ARE PREFERRED FULL FUNCTIONALITY SETUPS. OTHER SET-UPS MAY RESULT IN OPERATION LIMITATIONS. CONTACT YOUR DEALER FOR DETAILS.

CAD GENERATED DRAWING, DO NOT MANUALLY UPDATE DO NOT SCALE DRAWING	NAME	DATE	
	MODELED BY Adam Lundgren		
UNLESS OTHERWISE SPECIFIED DIMENSIONS ARE IN INCHES	APPROVED BY		TITLE: M7 FINAL ASSY. DRAWING W/ MEASUREMENT IN INCHES
	<input type="checkbox"/> CONTROLLED PART CES, ETL, UL, OR OTHER REGULATORY AGENCY		
TOLERANCES ARE:	VENDOR:		SIZE
FRACTIONS ± 1/16 DECIMALS .x ± .1 .XX ± .02 .XXX ± .005 .XXXX ± .0020	MANUFACTURER:		B
MATERIAL:	VENDOR PART NUMBER:		PART NUMBER:
SURFACE TREATMENT:			REV
MATERIAL CONDITION:			SCALE: 1:22
			SHEET 1 OF 1



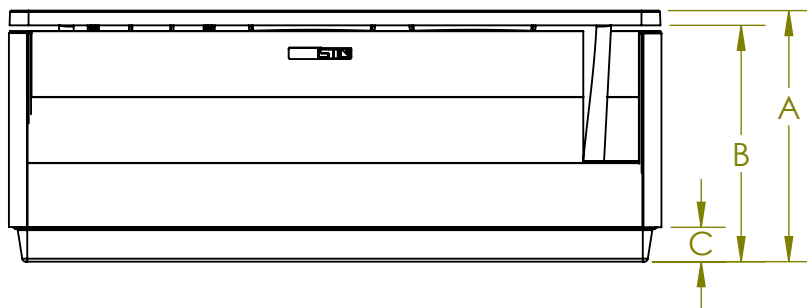
EURO RATINGS/WIRING CONFIGURATIONS AVAILABLE:

- 230 VAC, 50 Hz, 16A x 1
- 230 VAC, 50 Hz, 16A x 2
- 230 VAC, 50 Hz, 32 A**
- 400 VAC, 50 Hz, 16 A x 3 (3 phase)**

US RATINGS/WIRING CONFIGURATIONS AVAILABLE:

- 240 VAC, 60Hz, 30 A
- 240 VAC, 60Hz, 50 A**

NOTE: RATINGS AMPERAGE IN BOLD TYPE ARE PREFERRED FULL FUNCTIONALITY SETUPS. OTHER SET-UPS MAY RESULT IN OPERATION LIMITATIONS. CONTACT YOUR DEALER FOR DETAILS.



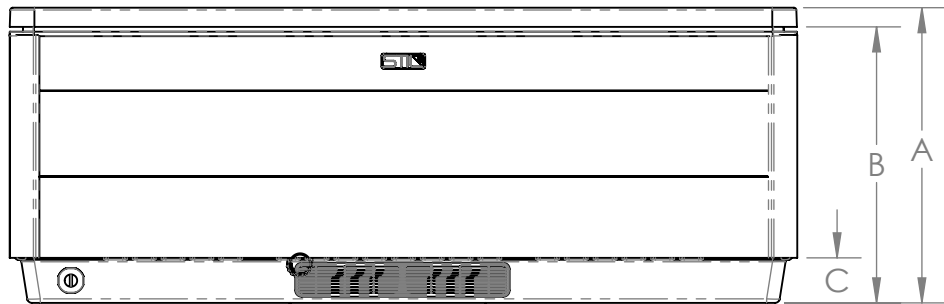
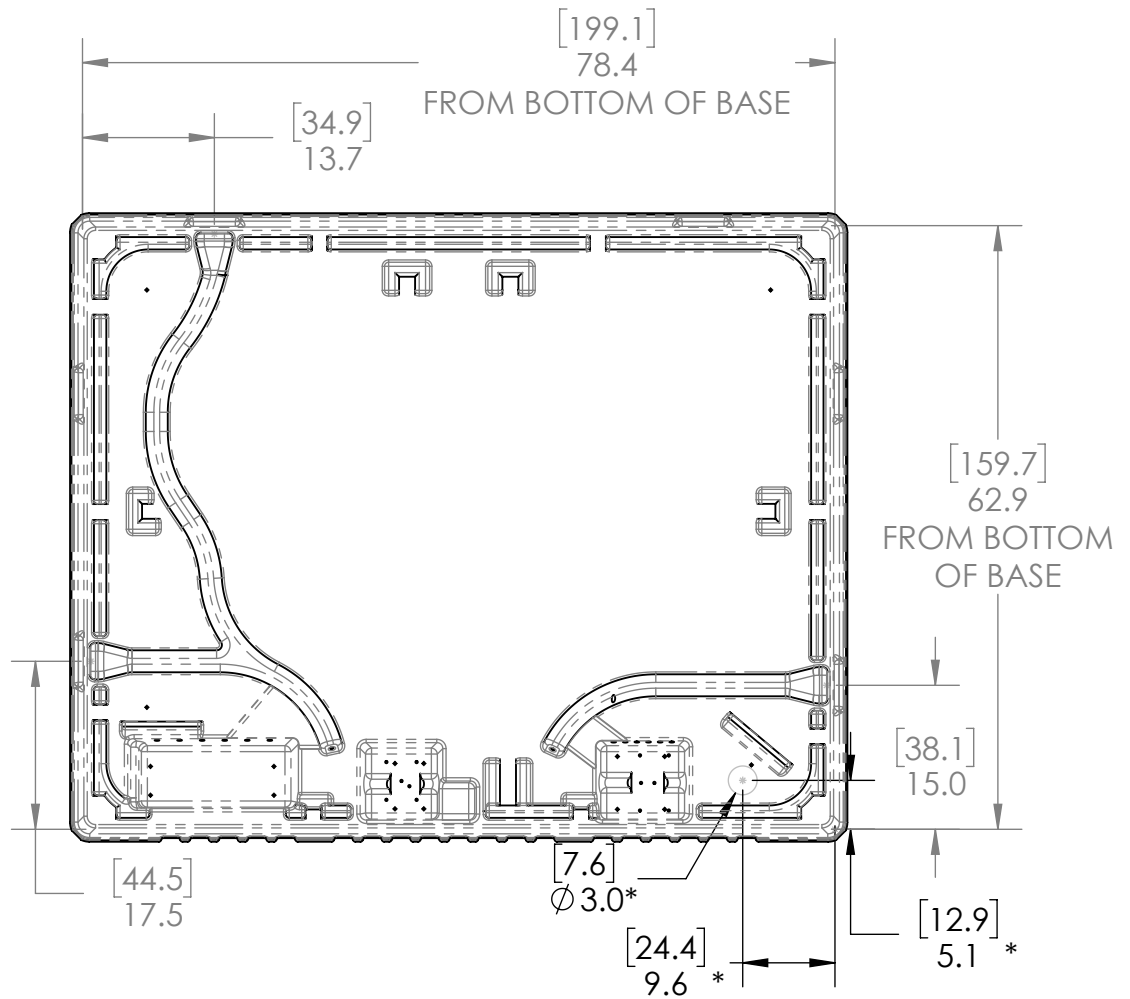
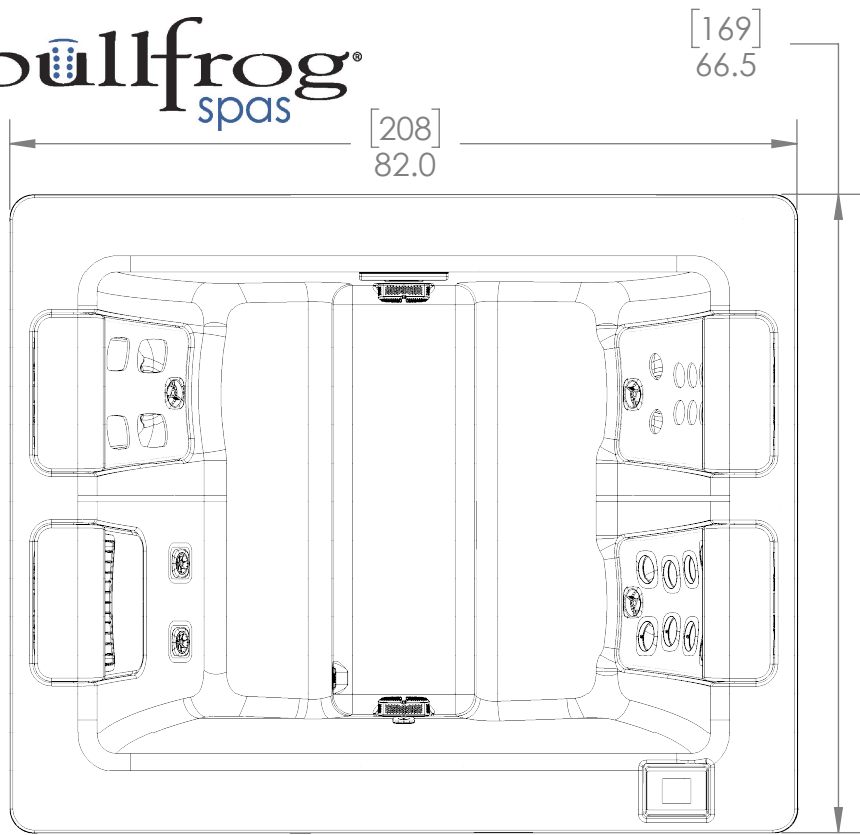
- Height:
- A - Overall
34" [86.4cm]
 - B - Ground to Bottom of Lip
32" [81.3cm]
 - C - Ground to Bottom of Cabinet
4.69" [12cm]

NOTES:

DOOR ENTRY IS CENTERED ON THE FRONT OF THE SPA WITH THE FOLLOWING SPAN: 83.5" [212cm]

*INTERNAL ELECTRICAL STUB-UP

STIL 7



Height:
 A - Overall
 30.75" (78.1 cm)
 B - Ground to Bottom of Lip
 28.75" (73.0 cm)
 C - Ground to Bottom of Cabinet
 4.7" (12.0 cm)

NOTES:

DOOR ENTRY IS CENTERED ON THE FRONT OF THE SPA WITH THE FOLLOWING SPAN: 77.0" [195.6]

*INTERNAL ELECTRICAL STUB-UP

EURO RATINGS/WIRING CONFIGURATIONS AVAILABLE:

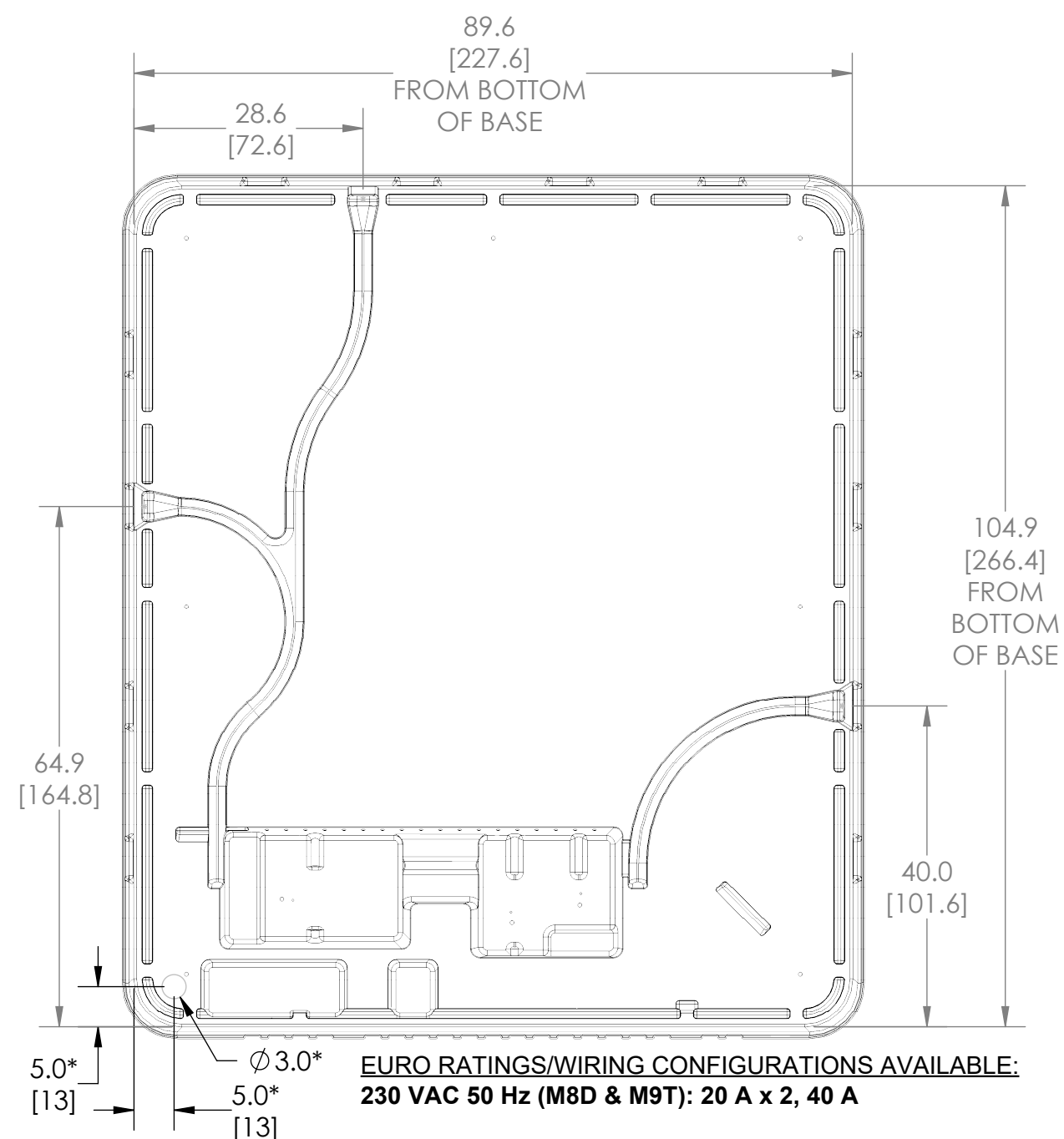
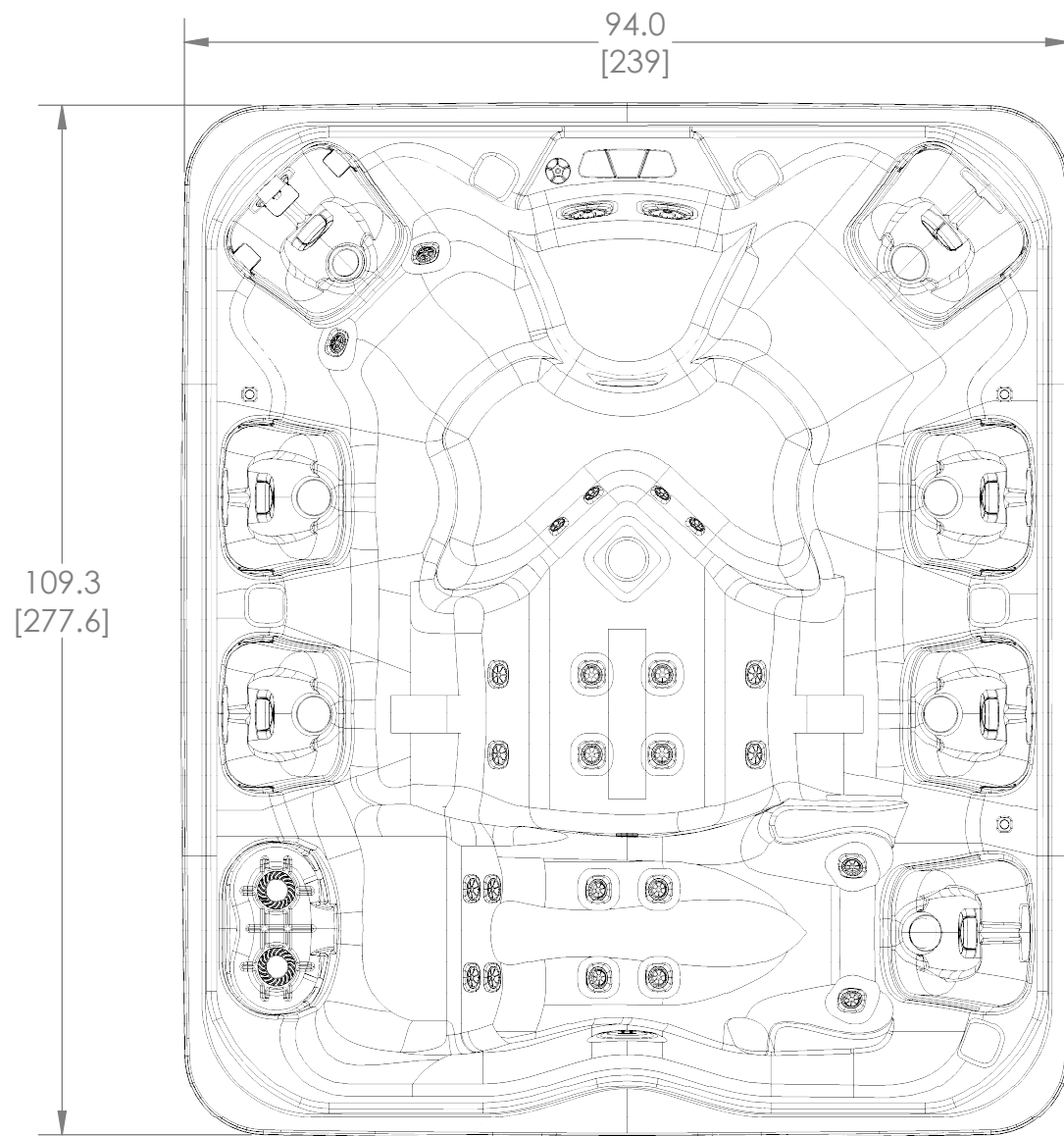
- 230 VAC, 50 Hz, 16A x 1
- 230 VAC, 50 Hz, 16A x 2
- 230 VAC, 50 Hz, 32 A**
- 400 VAC, 50 Hz, 16 A x 3 (3 phase)**

US RATINGS/WIRING CONFIGURATIONS AVAILABLE:

- 120 VAC, 60Hz, 20 A
- 240 VAC, 60Hz, 30 A
- 240 VAC, 60Hz, 50 A**

NOTE: RATINGS AMPERAGE IN BOLD TYPE ARE PREFERRED FULL FUNCTIONALITY SETUPS. OTHER SET-UPS MAY RESULT IN OPERATION LIMITATIONS. CONTACT YOUR DEALER FOR DETAILS.

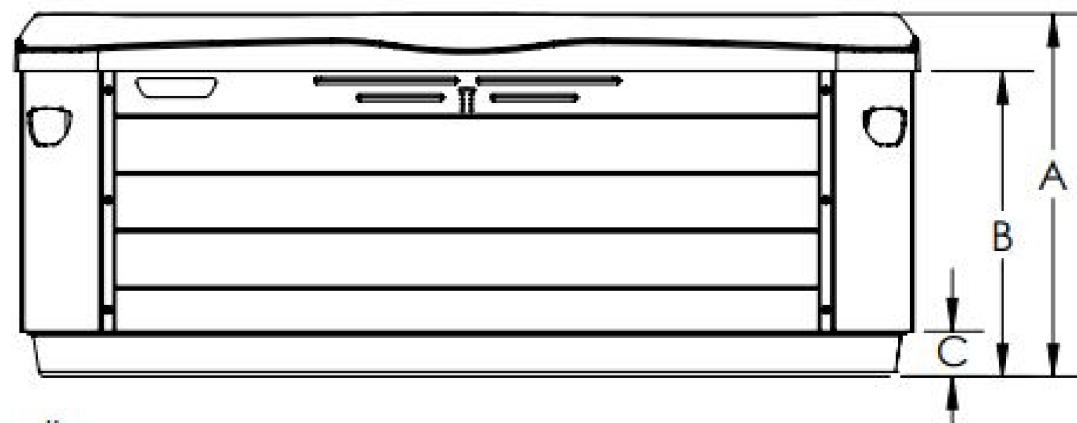
STIL5



EURO RATINGS/WIRING CONFIGURATIONS AVAILABLE:
230 VAC 50 Hz (M8D & M9T): 20 A x 2, 40 A

US RATINGS/WIRING CONFIGURATIONS AVAILABLE:
 240 VAC, 60 Hz, 50 A
240 VAC, 60 Hz, 60 A

NOTE: SPA MODELS WITH 3 JET PUMPS (A9L, M8, M9L) REQUIRE A 60 AMP SERVICE FOR FULL FUNCTIONALITY. THESE MODELS MAY ALTERNATIVELY BE OPERATED WITH VARIOUS ELECTRICAL CONFIGURATIONS, HOWEVER, CERTAIN SET-UPS MAY RESULT IN OPERATION LIMITATIONS. RATINGS AMPERAGE IN BOLD TYPE ARE PREFERRED FULL FUNCTIONALITY SETUPS. CONTACT YOUR DEALER FOR DETAILS.



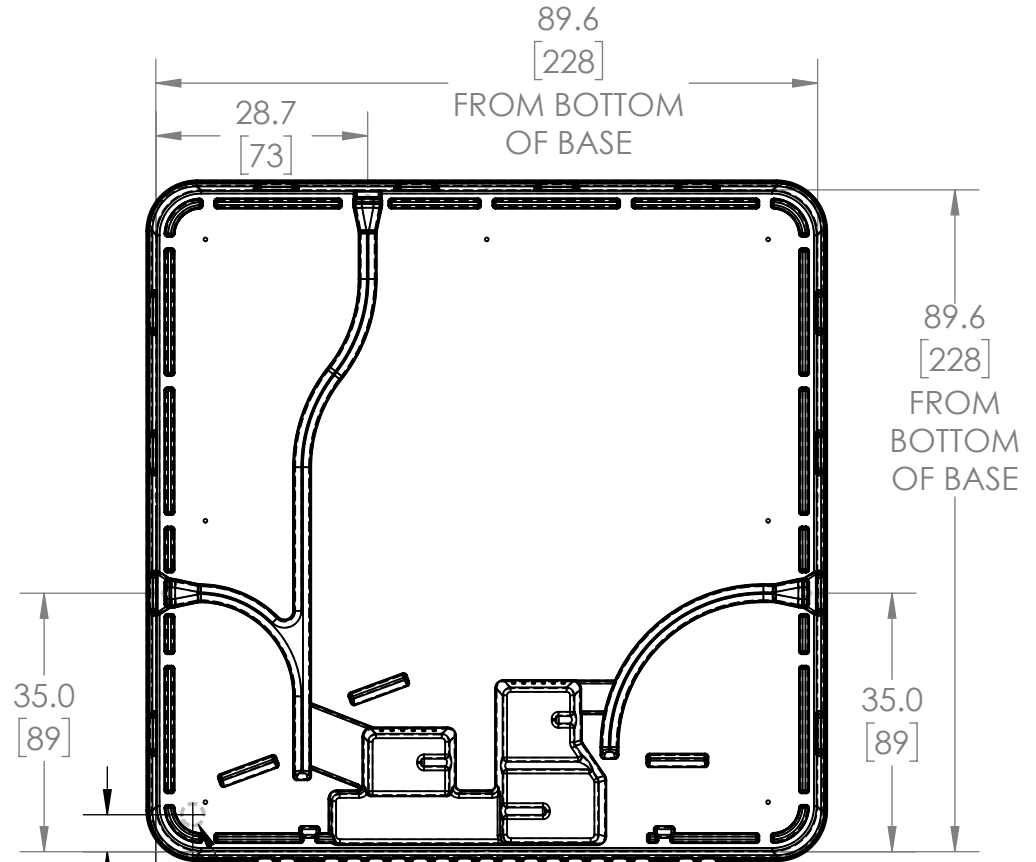
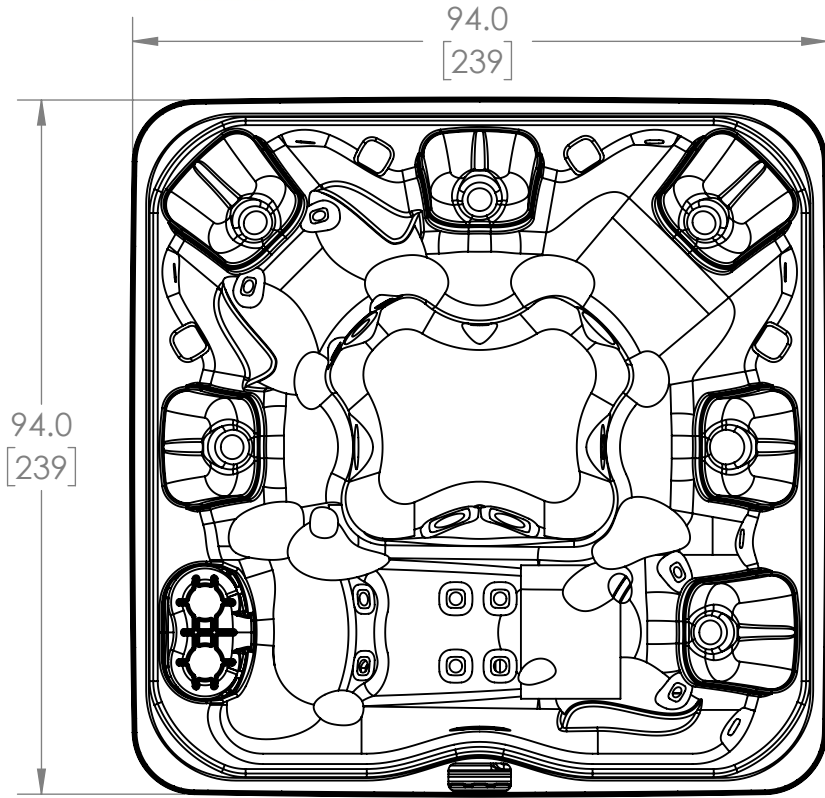
- Height:
- A - Overall
38" [96.5cm]
 - B - Ground to Bottom of Lip
32" [81.3cm]
 - C - Ground to Bottom of Cabinet
4 3/4" [12cm]

NOTES:

DOOR ENTRY IS CENTERED ON THE FRONT OF THE SPA WITH THE FOLLOWING SPAN: 75.25" [191CM]

*INTERNAL ELECTRICAL STUB-UP

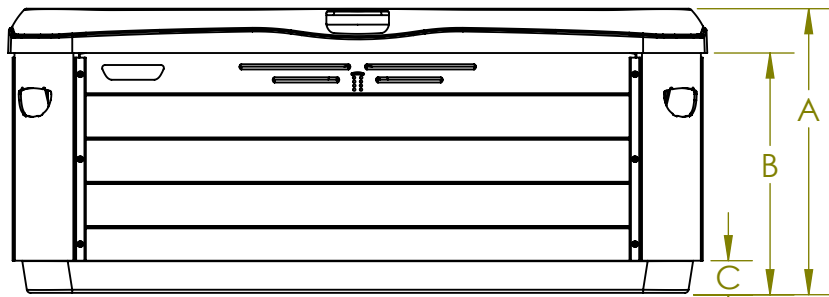
A9L



EURO RATINGS/WIRING CONFIGURATIONS AVAILABLE:
 230 VAC, 50 Hz, 16A x 1
 230 VAC, 50 Hz, 16A x 2
230 VAC, 50 Hz, 32 A
400 VAC, 50 Hz, 16 A x 3 (3 phase)

US RATINGS/WIRING CONFIGURATIONS AVAILABLE:
 240 VAC, 60Hz, 30 A
240 VAC, 60Hz, 50 A

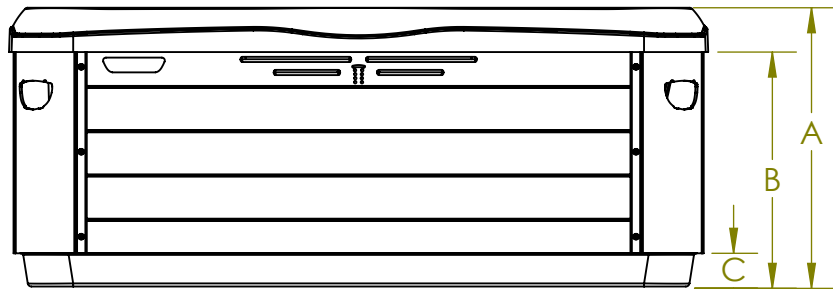
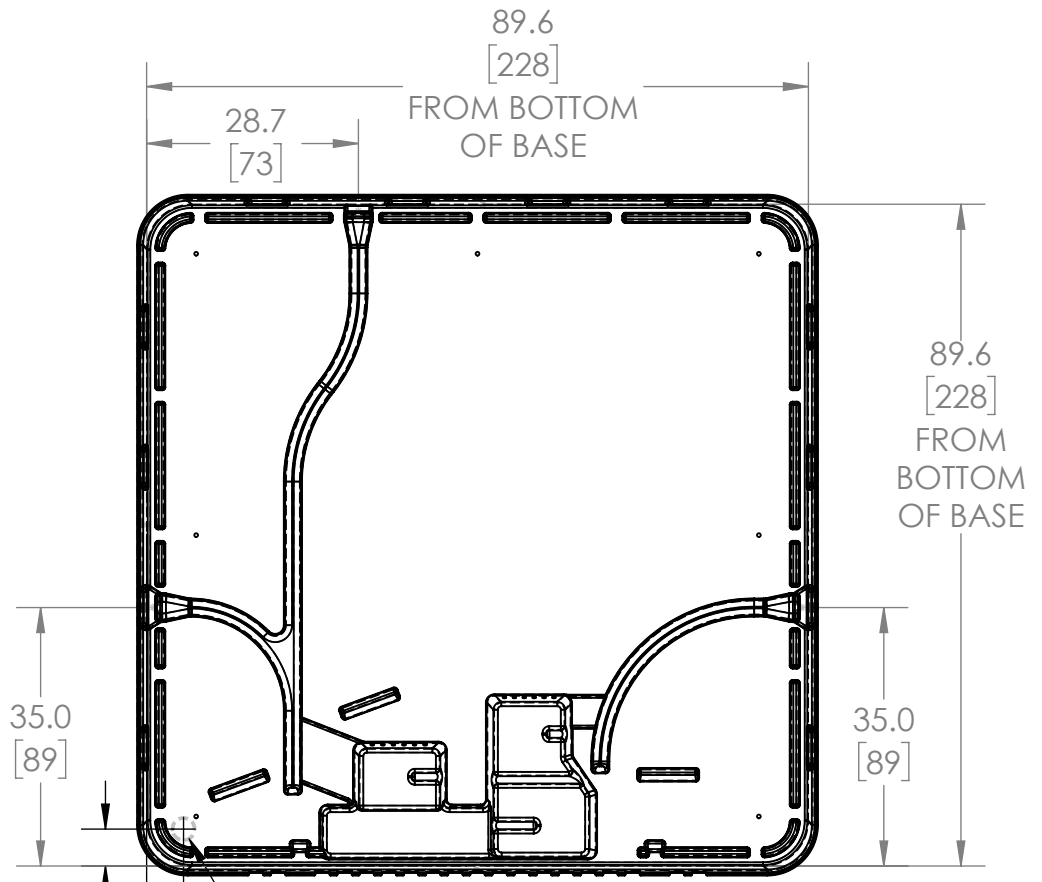
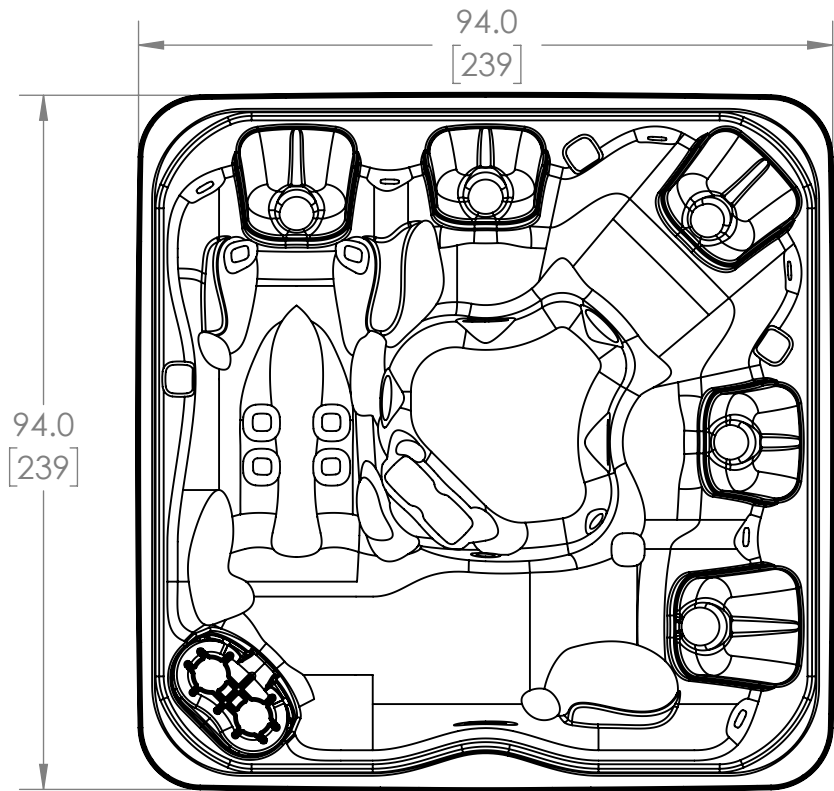
NOTE: RATINGS AMPERAGE IN BOLD TYPE ARE PREFERRED FULL FUNCTIONALITY SETUPS. OTHER SET-UPS MAY RESULT IN OPERATION LIMITATIONS. CONTACT YOUR DEALER FOR DETAILS.



Height:
 A - Overall
 38" [96.5cm]
 B - Ground to Bottom of Lip
 32" [81.3cm]
 C - Ground to Bottom of Cabinet
 4 3/4" [12cm]

NOTES:
 DOOR ENTRY IS CENTERED ON THE FRONT OF THE SPA WITH THE FOLLOWING SPAN: 75.25" [191]
 *INTERNAL ELECTRICAL STUB-UP

A8L/R8L/X8L



Height:
 A - Overall
 38" [96.5cm]
 B - Ground to Bottom of Lip
 32" [81.3cm]
 C - Ground to Bottom of Cabinet
 4 3/4" [12cm]

NOTES:

DOOR ENTRY IS CENTERED ON THE FRONT OF THE SPA WITH THE FOLLOWING SPAN: 75.25" [191]

*INTERNAL ELECTRICAL STUB-UP

5.0 * [13]
 5.0 * [8]
 5.0 * [13]
 Ø 3.0*

EURO RATINGS/WIRING CONFIGURATIONS AVAILABLE:

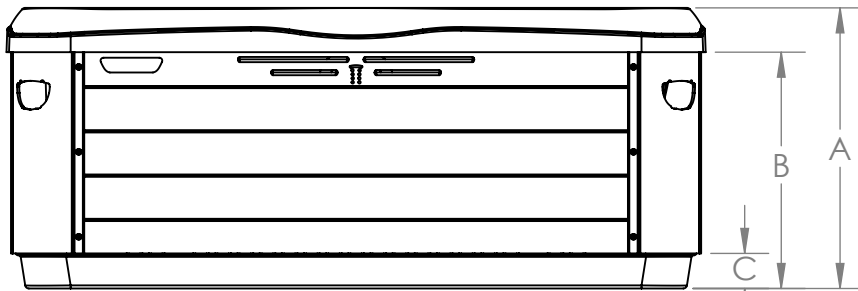
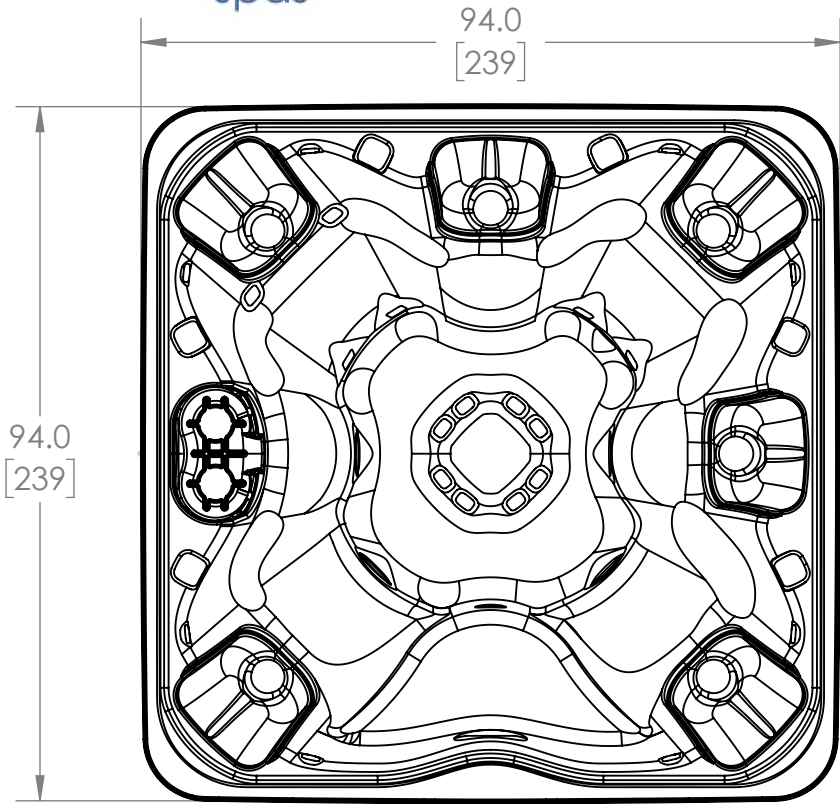
- 230 VAC, 50 Hz, 16A x 1
- 230 VAC, 50 Hz, 16A x 2
- 230 VAC, 50 Hz, 32 A**
- 400 VAC, 50 Hz, 16 A x 3 (3 phase)**

US RATINGS/WIRING CONFIGURATIONS AVAILABLE:

- 240 VAC, 60Hz, 30 A
- 240 VAC, 60Hz, 50 A**

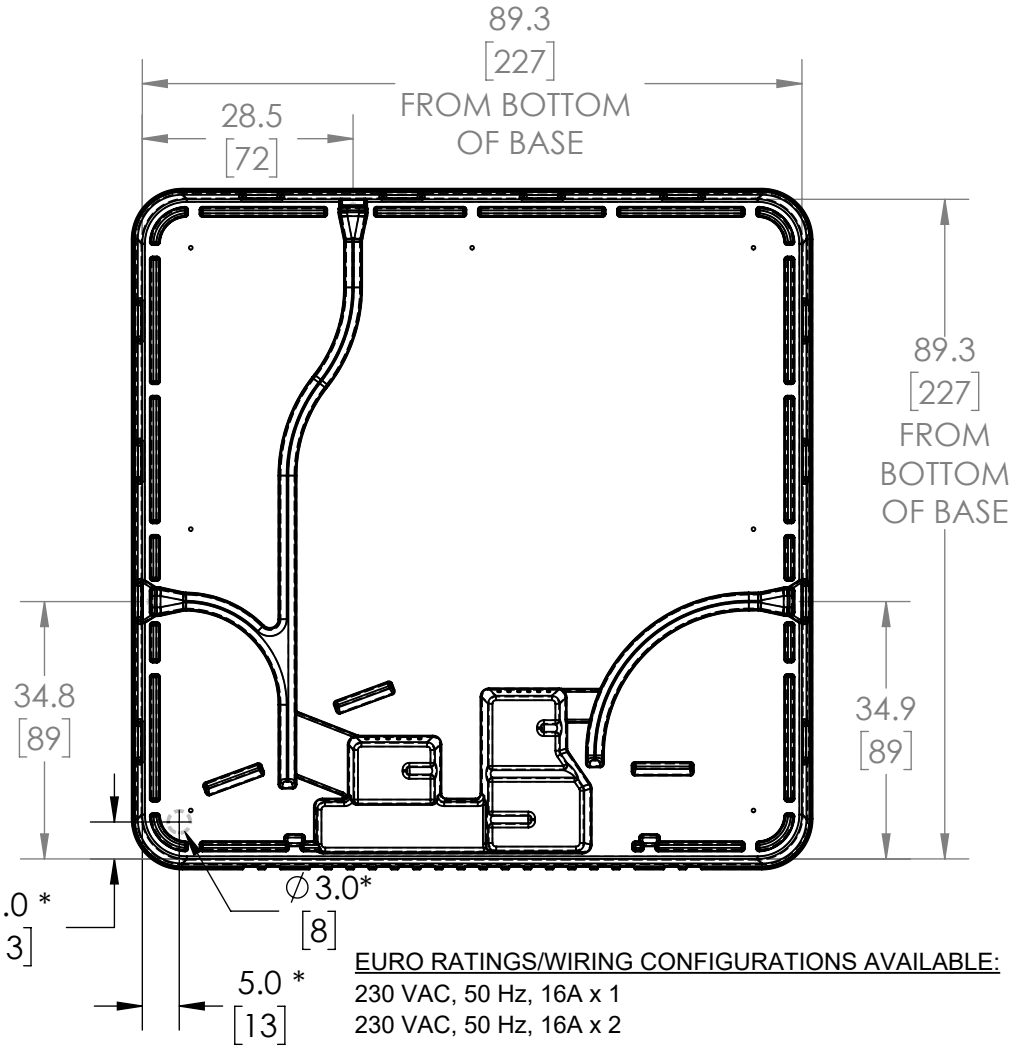
NOTE: RATINGS AMPERAGE IN BOLD TYPE ARE PREFERRED FULL FUNCTIONALITY SETUPS. OTHER SET-UPS MAY RESULT IN OPERATION LIMITATIONS. CONTACT YOUR DEALER FOR DETAILS.

A8D



Height:
 A - Overall
 38" [96.5cm]
 B - Ground to Bottom of Lip
 32" [81.3cm]
 C - Ground to Bottom of Cabinet
 4 3/4" [12cm]

NOTES:
 DOOR ENTRY IS CENTERED ON THE FRONT OF THE SPA WITH THE FOLLOWING SPAN: 75.25" [191]
 *INTERNAL ELECTRICAL STUB-UP

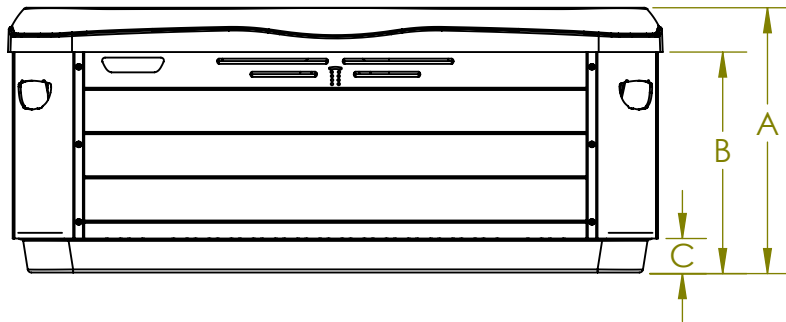
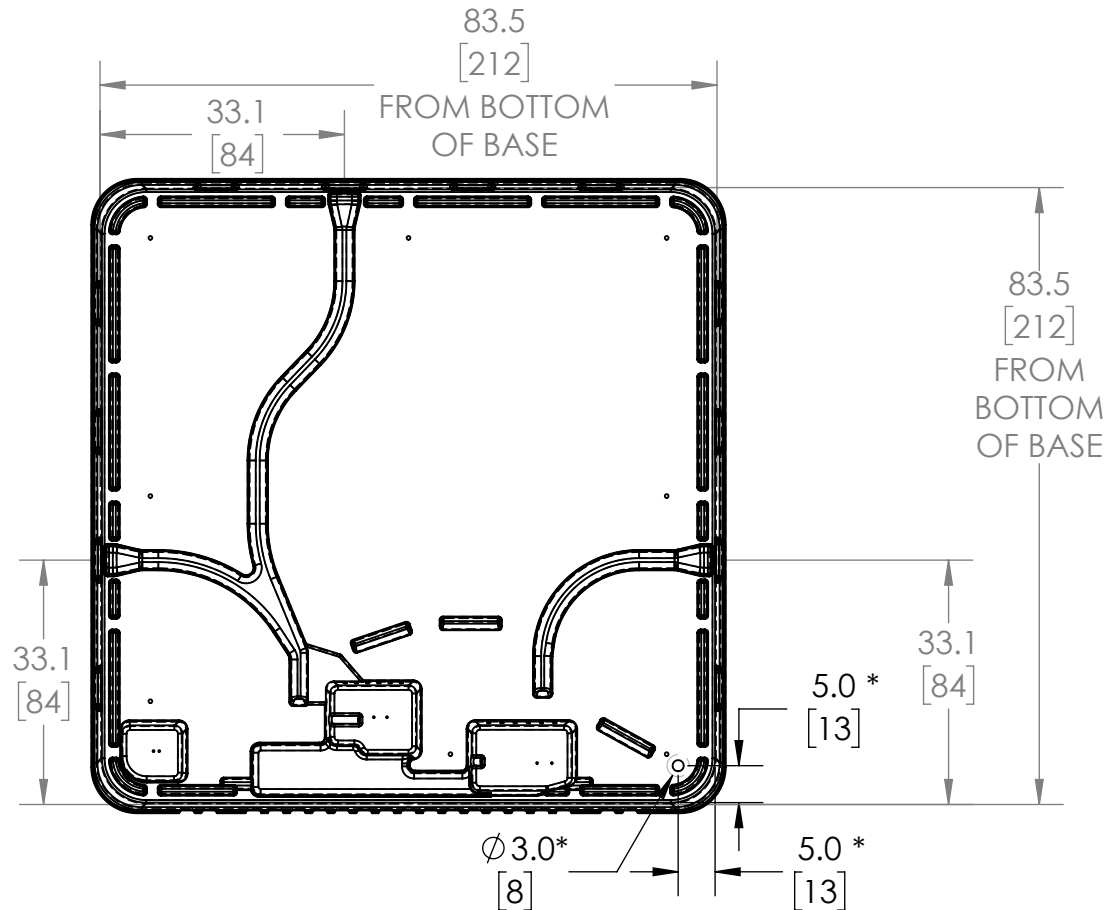
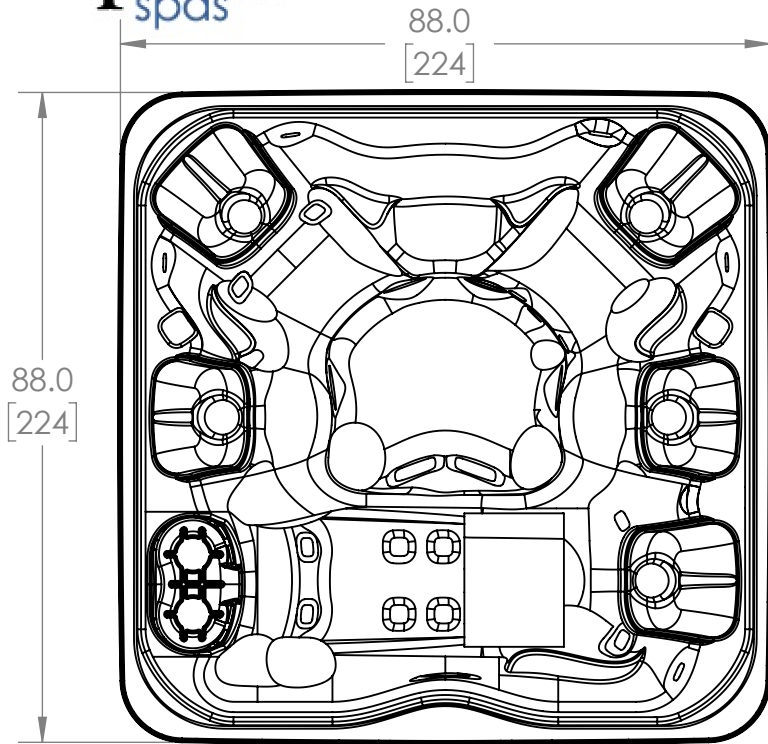


EURO RATINGS/WIRING CONFIGURATIONS AVAILABLE:
 230 VAC, 50 Hz, 16A x 1
 230 VAC, 50 Hz, 16A x 2
230 VAC, 50 Hz, 32 A
400 VAC, 50 Hz, 16 A x 3 (3 phase)

US RATINGS/WIRING CONFIGURATIONS AVAILABLE:
 240 VAC, 60Hz, 30 A
240 VAC, 60Hz, 50 A

NOTE: RATINGS AMPERAGE IN BOLD TYPE ARE PREFERRED FULL FUNCTIONALITY SETUPS. OTHER SET-UPS MAY RESULT IN OPERATION LIMITATIONS. CONTACT YOUR DEALER FOR DETAILS.

A8/R8/X8



Height:
 A - Overall
 36" [91.4cm]
 B - Ground to Bottom of Lip
 30" [76.2cm]
 C - Ground to Bottom of Cabinet
 4 3/4" [12cm]

NOTES:

DOOR ENTRY IS CENTERED ON THE FRONT OF THE SPA WITH THE FOLLOWING SPAN: 69.25" [176]

*INTERNAL ELECTRICAL STUB-UP TYPICAL

EURO RATINGS/WIRING CONFIGURATIONS AVAILABLE:

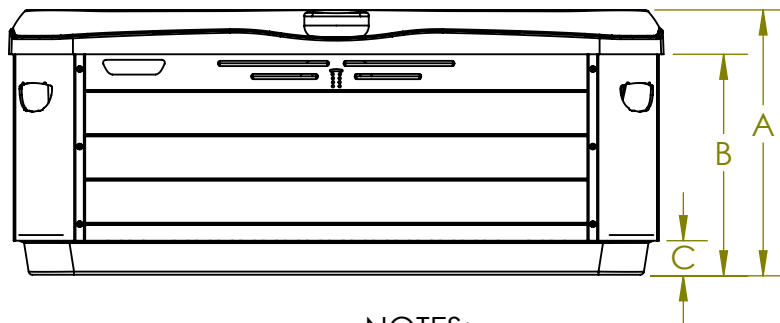
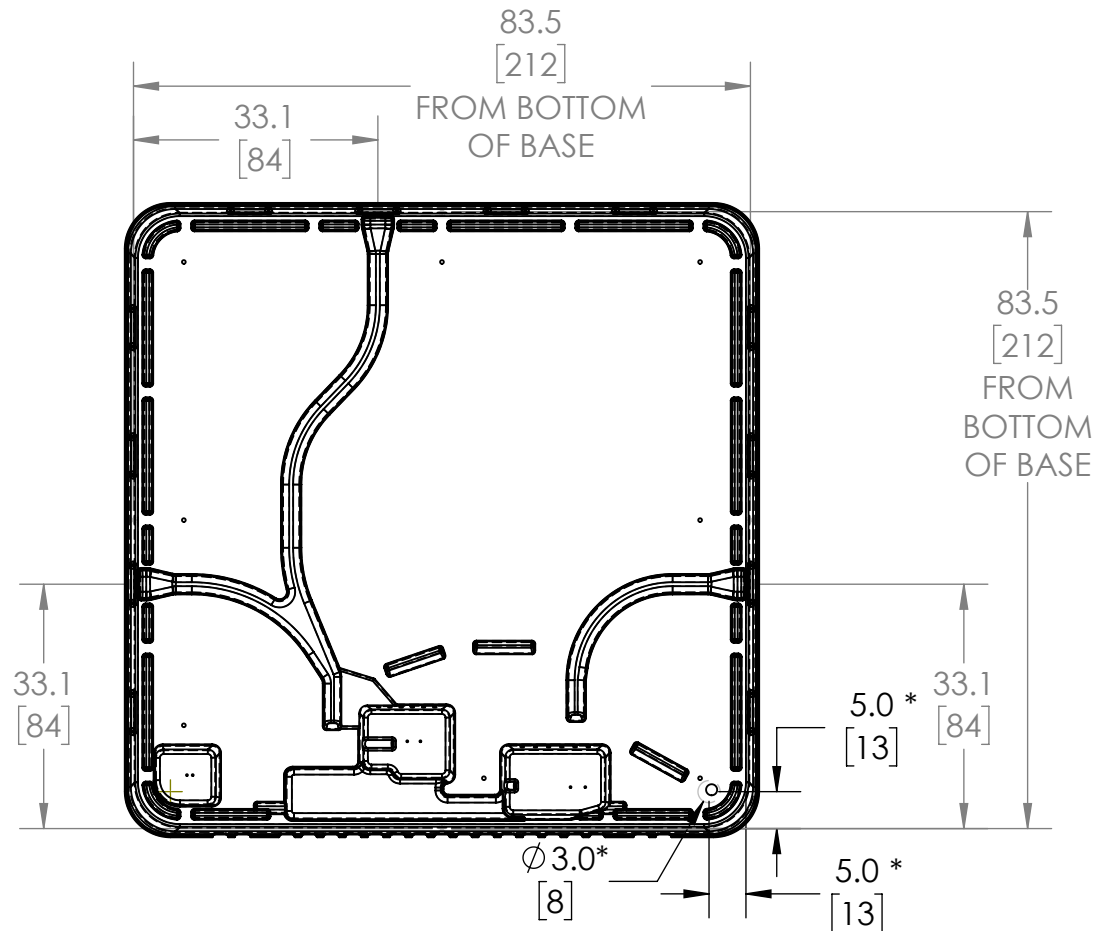
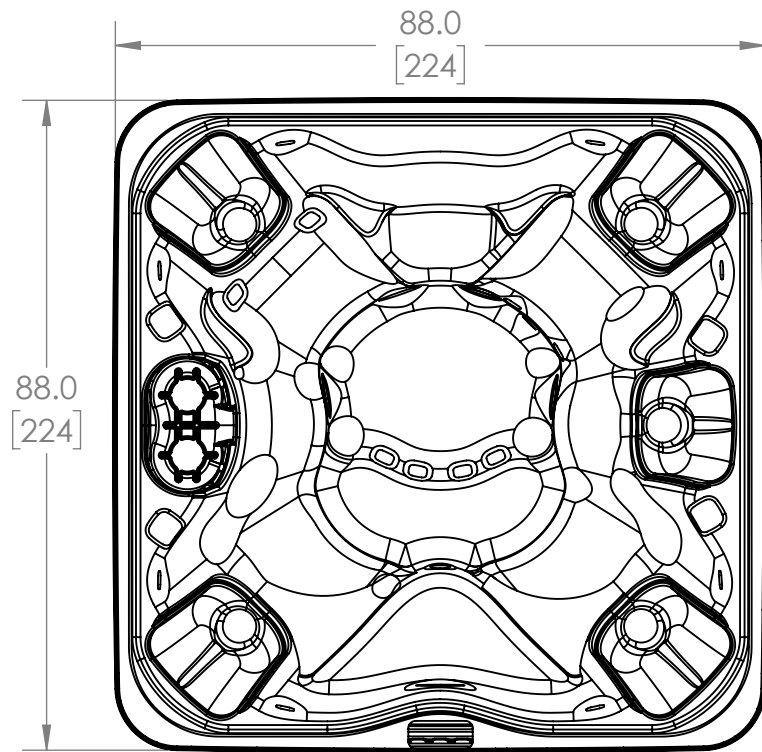
- 230 VAC, 50 Hz, 16A x 1
- 230 VAC, 50 Hz, 16A x 2
- 230 VAC, 50 Hz, 32 A**
- 400 VAC, 50 Hz, 16 A x 3 (3 phase)**

US RATINGS/WIRING CONFIGURATIONS AVAILABLE:

- 240 VAC, 60Hz, 30 A
- 240 VAC, 60Hz, 50 A**

NOTE: RATINGS AMPERAGE IN BOLD TYPE ARE PREFERRED FULL FUNCTIONALITY SETUPS. OTHER SET-UPS MAY RESULT IN OPERATION LIMITATIONS. CONTACT YOUR DEALER FOR DETAILS.

A7L/R7L/X7L



Height:
 A - Overall
 36" [91.4cm]
 B - Ground to Bottom of Lip
 30" [76.2cm]
 C - Ground to Bottom of Cabinet
 4 3/4" [12cm]

NOTES:

DOOR ENTRY IS CENTERED ON THE FRONT OF THE SPA WITH THE FOLLOWING SPAN: 69.25" [176]

*INTERNAL ELECTRICAL STUB-UP TYPICAL

EURO RATINGS/WIRING CONFIGURATIONS AVAILABLE:

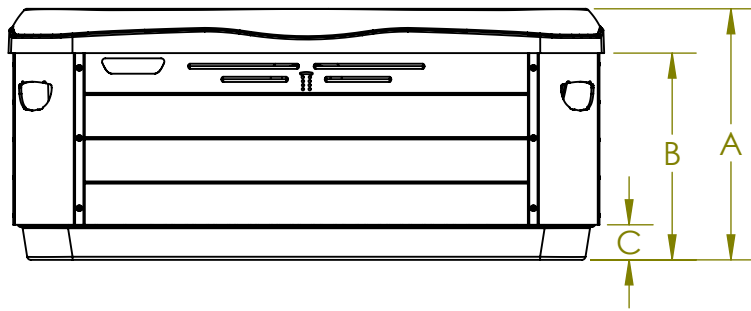
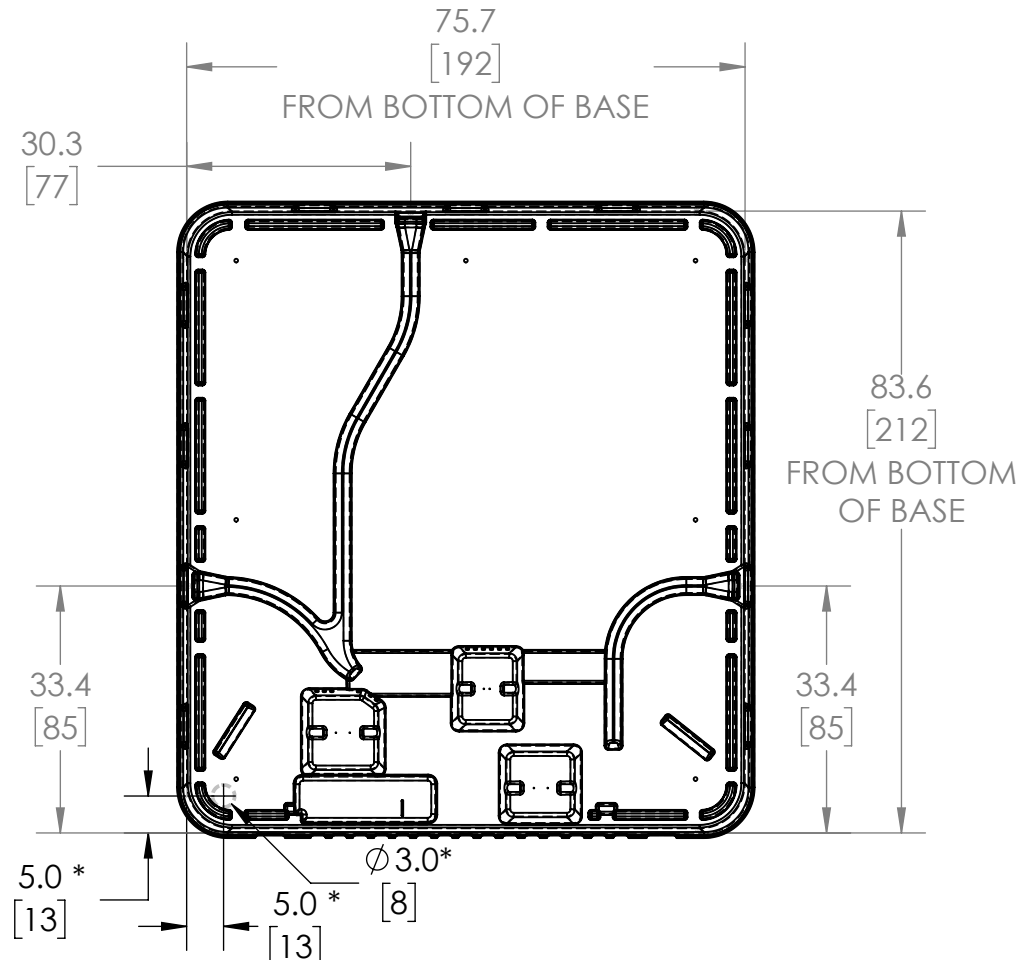
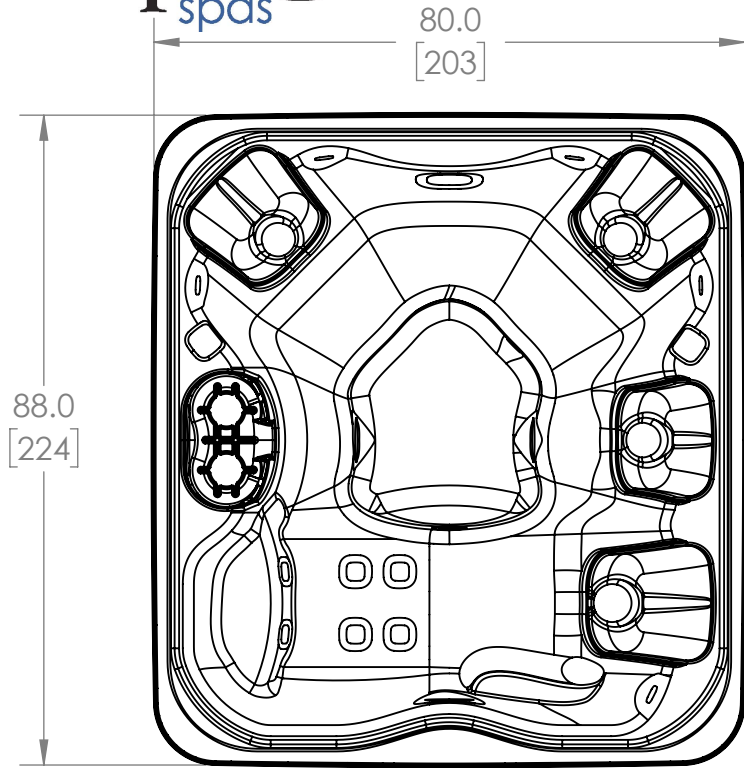
- 230 VAC, 50 Hz, 16A x 1
- 230 VAC, 50 Hz, 16A x 2
- 230 VAC, 50 Hz, 32 A**
- 400 VAC, 50 Hz, 16 A x 3 (3 phase)**

US RATINGS/WIRING CONFIGURATIONS AVAILABLE:

- 240 VAC, 60Hz, 30 A
- 240 VAC, 60Hz, 50 A**

NOTE: RATINGS AMPERAGE IN BOLD TYPE ARE PREFERRED FULL FUNCTIONALITY SETUPS. OTHER SET-UPS MAY RESULT IN OPERATION LIMITATIONS. CONTACT YOUR DEALER FOR DETAILS.

A7/R7/X7



Height:
 A - Overall
 34" [86.4cm]
 B - Ground to Bottom of Lip
 28" [71.1cm]
 C - Ground to Bottom of Cabinet
 4 3/4" [12cm]

NOTES:
 DOOR ENTRY IS CENTERED ON THE FRONT OF THE SPA WITH THE FOLLOWING SPAN: 61.3" [155.6]
 *INTERNAL ELECTRICAL STUB-UP

EURO RATINGS/WIRING CONFIGURATIONS AVAILABLE:

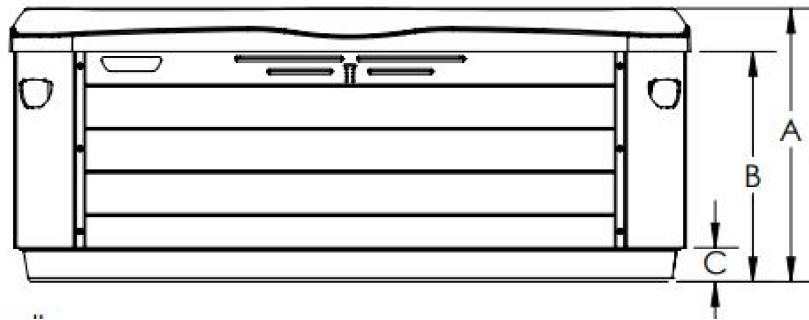
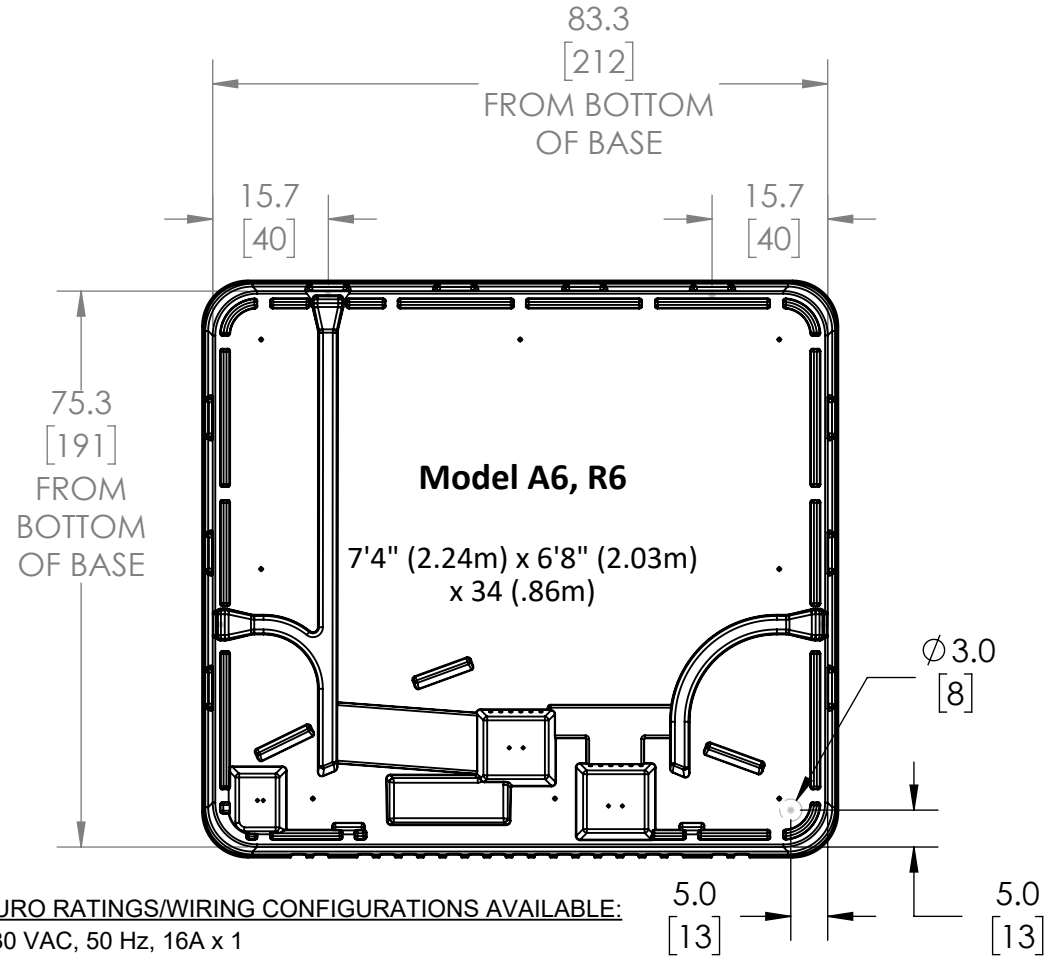
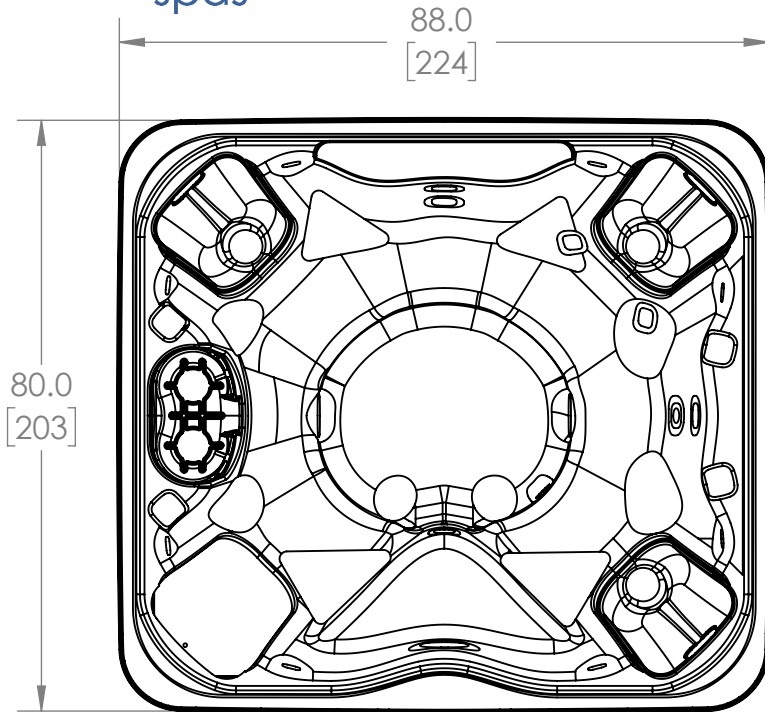
- 230 VAC, 50 Hz, 16A x 1
- 230 VAC, 50 Hz, 16A x 2
- 230 VAC, 50 Hz, 32 A**
- 400 VAC, 50 Hz, 16 A x 3 (3 phase)**

US RATINGS/WIRING CONFIGURATIONS AVAILABLE:

- 240 VAC, 60Hz, 30 A
- 240 VAC, 60Hz, 50 A**

NOTE: RATINGS AMPERAGE IN BOLD TYPE ARE PREFERRED FULL FUNCTIONALITY SETUPS. CONTACT YOUR DEALER FOR DETAILS.

A6L/R6L/X6L



EURO RATINGS/WIRING CONFIGURATIONS AVAILABLE:

- 230 VAC, 50 Hz, 16A x 1
- 230 VAC, 50 Hz, 16A x 2
- 230 VAC, 50 Hz, 32 A**
- 400 VAC, 50 Hz, 16 A x 3 (3 phase)**

US RATINGS/WIRING CONFIGURATIONS AVAILABLE:

- 240 VAC, 60Hz, 30 A
- 240 VAC, 60Hz, 50 A**

NOTE: RATINGS AMPERAGE IN BOLD TYPE ARE PREFERRED FULL FUNCTIONALITY SETUPS. OTHER SET-UPS MAY RESULT IN OPERATION LIMITATIONS. CONTACT YOUR DEALER FOR DETAILS.

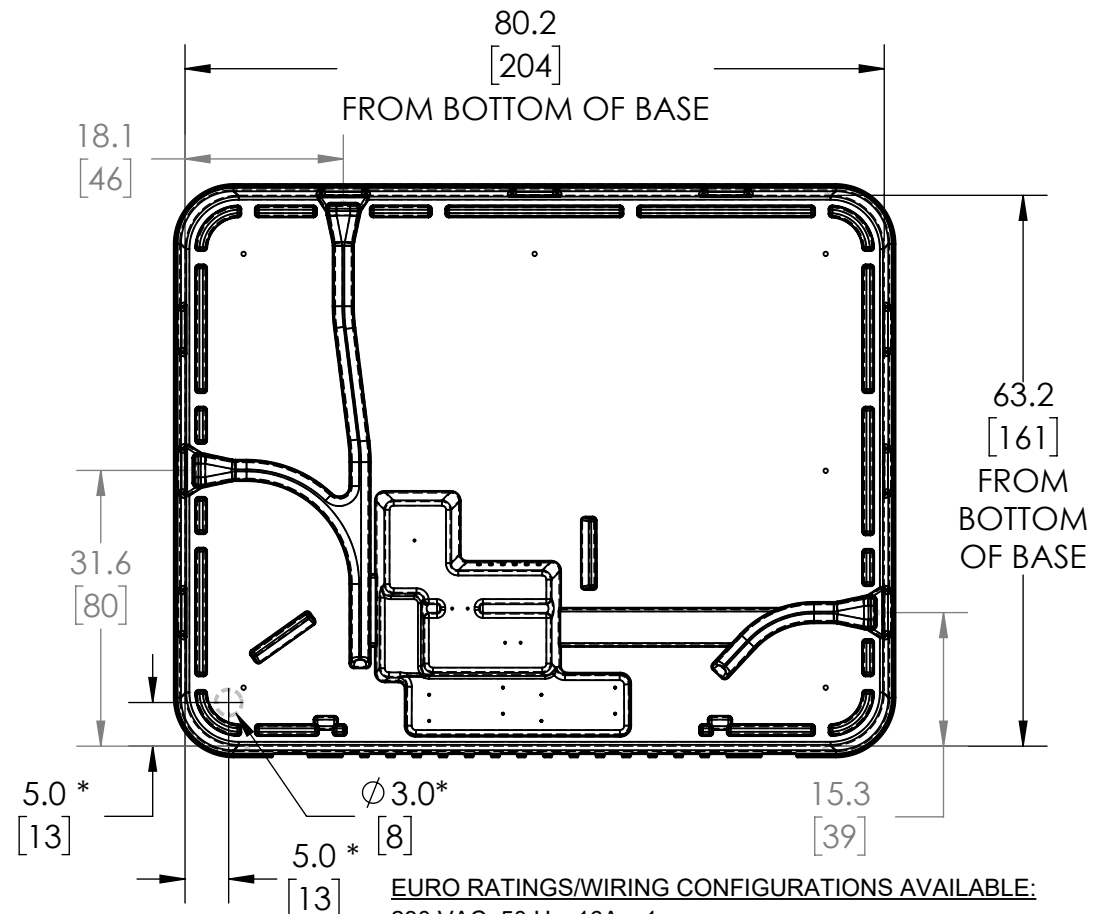
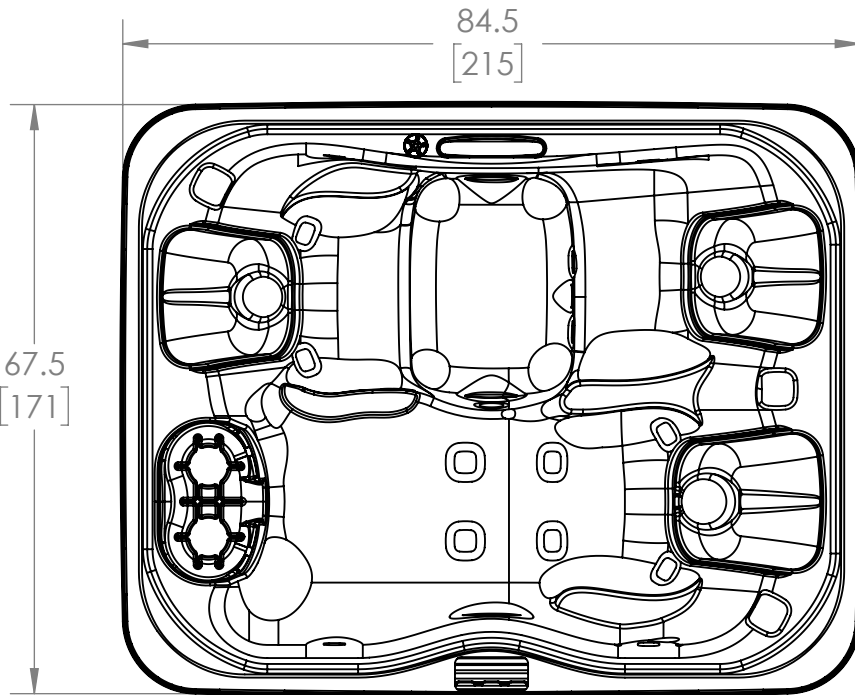
- Height:
- A - Overall
34" [86.4cm]
 - B - Ground to Bottom of Lip
28" [71.1cm]
 - C - Ground to Bottom of Cabinet
4 3/4" [12cm]

NOTES:

DOOR ENTRY IS CENTERED ON THE FRONT OF THE SPA WITH THE FOLLOWING SPAN: 69.25" [175.9]

*INTERNAL ELECTRICAL STUB-UP

A6/R6



EURO RATINGS/WIRING CONFIGURATIONS AVAILABLE:

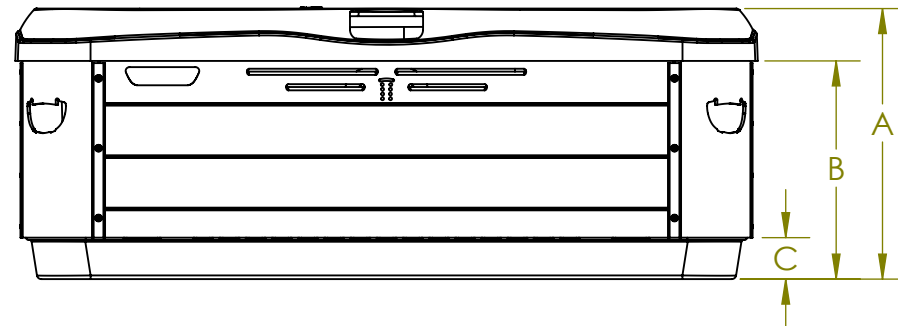
- 230 VAC, 50 Hz, 16A x 1
- 230 VAC, 50 Hz, 16A x 2
- 230 VAC, 50 Hz, 32 A**
- 400 VAC, 50 Hz, 16 A x 3 (3 phase)**

US RATINGS/WIRING CONFIGURATIONS AVAILABLE:

- 120 VAC, 60Hz, 20 A
- 240 VAC, 60Hz, 30 A
- 240 VAC, 60Hz, 50 A**

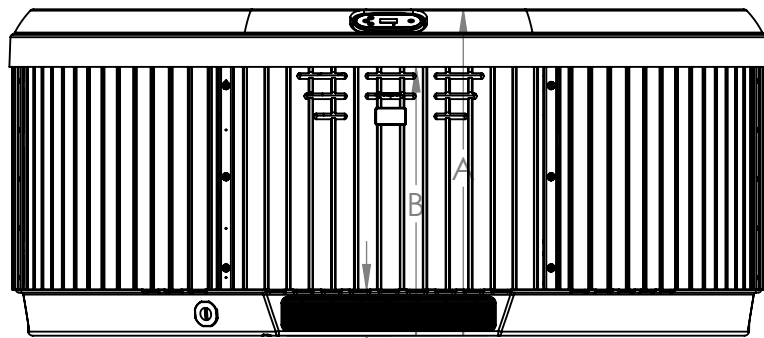
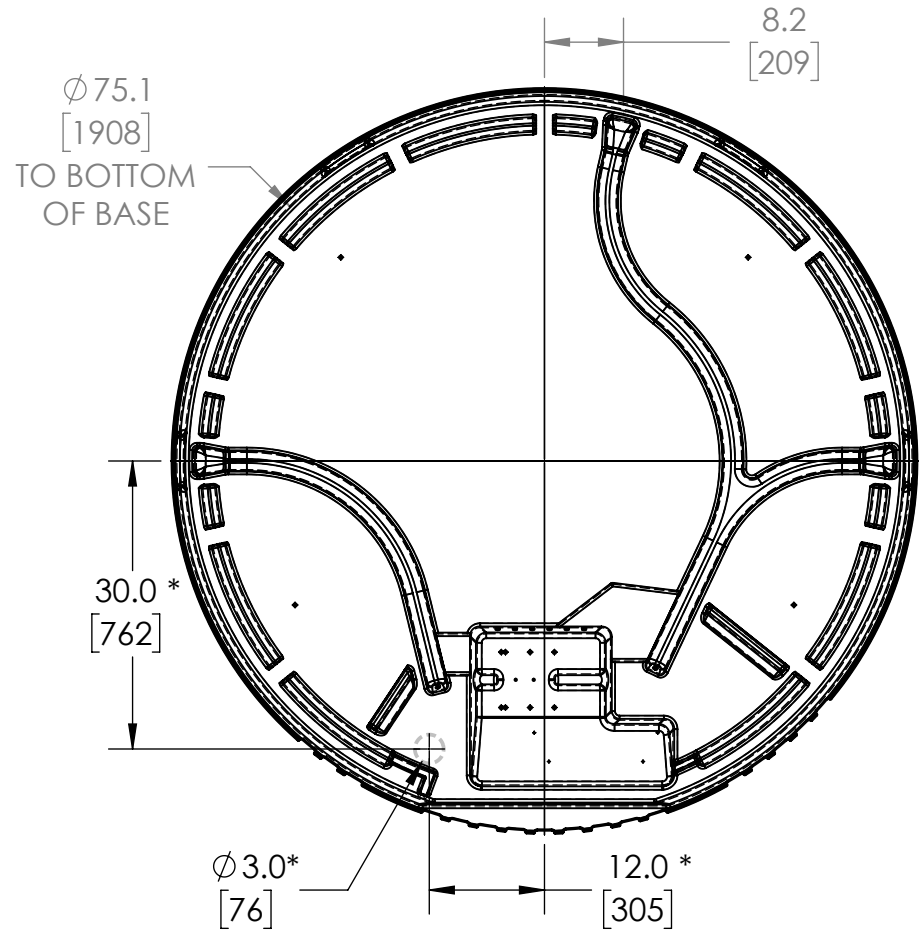
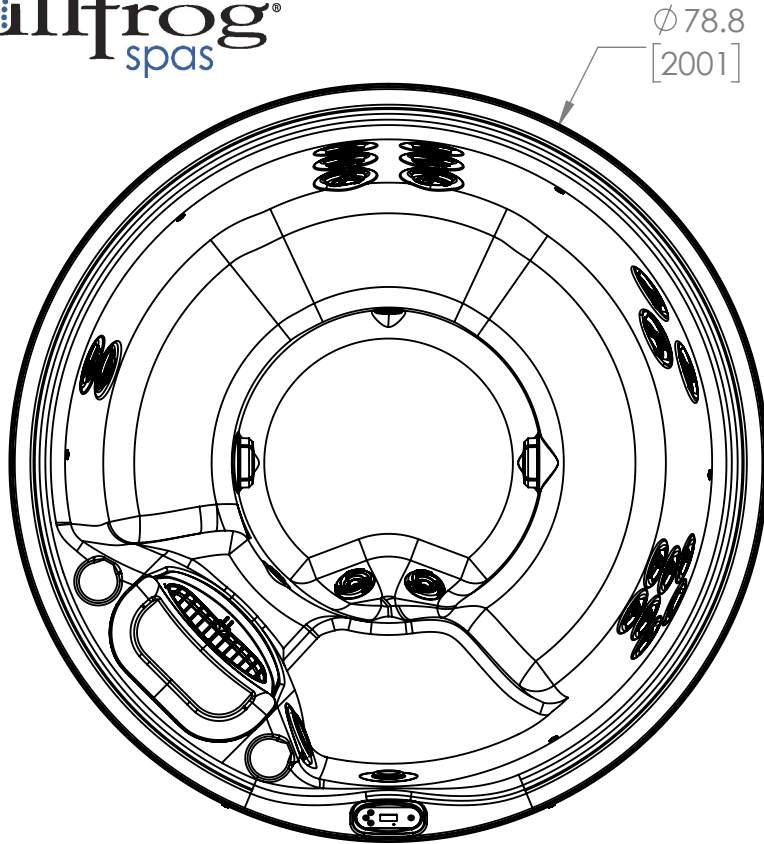
NOTE: RATINGS AMPERAGE IN BOLD TYPE ARE PREFERRED FULL FUNCTIONALITY SETUPS. OTHER SET-UPS MAY RESULT IN OPERATION LIMITATIONS. CONTACT YOUR DEALER FOR DETAILS.

A5L/R5L/X5L



Height:
 A - Overall 31" [78.7cm]
 B - Ground to Bottom of Lip 25" [63.5cm]
 C- Ground to Bottom of Cabinet 4.75" [12cm]

NOTES:
 DOOR ENTRY IS CENTERED ON THE FRONT OF THE SPA WITH THE FOLLOWING SPAN: 65.75" [167.0cm]
 *INTERNAL ELECTRICAL STUB-UP



Height:
 A - Overall
 34" (86.4cm)
 B - Ground to Bottom of Lip
 28" (71.1cm)
 C - Ground to Bottom of Cabinet
 4.8" (12.2cm)

NOTES:
 DOOR ENTRY IS CENTERED ON THE FRONT OF THE SPA WITH THE FOLLOWING SPAN: 33.5" (85cm)
 *INTERNAL ELECTRICAL STUB-UP

EURO RATINGS/WIRING CONFIGURATIONS AVAILABLE:

- 230 VAC, 50 Hz, 16A x 1
- 230 VAC, 50 Hz, 16A x 2
- 230 VAC, 50 Hz, 32 A**
- 400 VAC, 50 Hz, 16 A x 3 (3 phase)**

US RATINGS/WIRING CONFIGURATIONS AVAILABLE:

- 120 VAC, 60Hz, 20 A
- 240 VAC, 60Hz, 30 A
- 240 VAC, 60Hz, 50 A**

NOTE: RATINGS AMPERAGE IN BOLD TYPE ARE PREFERRED FULL FUNCTIONALITY SETUPS. OTHER SET-UPS MAY RESULT IN OPERATION LIMITATIONS. CONTACT YOUR DEALER FOR DETAILS.

X6R